

INTERNATIONAL STANDARD

NORME INTERNATIONALE

**Cable networks for television signals, sound signals and interactive services –
Part 5: Headend equipment**

**Réseaux de distribution par câbles pour signaux de télévision, signaux de
radiodiffusion sonore et services interactifs –
Partie 5: Équipements de tête de réseau**

INTERNATIONAL
ELECTROTECHNICAL
COMMISSION

COMMISSION
ELECTROTECHNIQUE
INTERNATIONALE

ICS 33.060.40

ISBN 978-2-8322-3016-9

**Warning! Make sure that you obtained this publication from an authorized distributor.
Attention! Veuillez vous assurer que vous avez obtenu cette publication via un distributeur agréé.**

CONTENTS

FOREWORD.....	9
INTRODUCTION.....	11
1 Scope.....	12
2 Normative references	15
3 Terms, definitions, symbols and abbreviations.....	17
3.1 Terms and definitions.....	17
3.2 Symbols.....	21
3.3 Abbreviations	22
4 Methods of measurement	24
4.1 Methods of measurement for digitally modulated signals.....	24
4.1.1 General	24
4.1.2 Basic assumptions and measurement interfaces.....	24
4.1.3 Signal level for digitally modulated signals.....	24
4.2 Single-channel intermodulation specification for channel amplifier and frequency converter	26
4.3 Three-carrier intermodulation measurement.....	27
4.4 Two carrier intermodulation measurements for second- and third-order products.....	28
4.4.1 General	28
4.4.2 Intermodulation products with test signals at frequencies f_a and f_b	29
4.4.3 Signal levels	29
4.5 Carrier-to-spurious signal ratio at the output	29
4.5.1 Carrier-to-spurious signal ratio at the output of equipment for AM TV systems	29
4.5.2 Carrier-to-spurious signal ratio at the output of equipment for FM TV systems	30
4.5.3 Shoulder attenuation	31
4.6 Signal-to-noise measurement.....	32
4.6.1 Television carrier-to-noise ratio (analogue modulated signals).....	32
4.6.2 RF signal-to-noise ratio ($S_{D,RF}/N$) for digitally modulated signals	35
4.7 Differential gain and phase for PAL/SECAM signals.....	36
4.7.1 General	36
4.7.2 Differential gain (for PAL/SECAM only).....	37
4.7.3 Differential phase	38
4.8 Group delay measurements	41
4.8.1 Group delay variation of analogue TV signals	41
4.8.2 Procedure for the measurement of group delay variation on DVB channel converters	42
4.9 Phase noise of an RF carrier.....	45
4.9.1 General	45
4.9.2 Equipment required	45
4.9.3 Connection of the equipment	46
4.9.4 Measurement procedure	46
4.9.5 Presentation of the results	46
4.10 Hum modulation of carrier.....	48
4.10.1 General	48
4.10.2 Description of the method of measurement.....	48

4.10.3	Measuring procedure	49
4.10.4	Calculating the hum modulation ratio	50
4.11	2 <i>T</i> -pulse response, <i>K</i> -factor	51
4.12	Chrominance-luminance delay inequalities (20 <i>T</i> -pulse method)	52
4.13	Luminance non-linearity	54
4.14	Intermodulation distortion (FM stereo radio)	54
4.14.1	General	54
4.14.2	Equipment required	55
4.14.3	Connection of equipment	55
4.14.4	Measurement.....	55
4.15	Decoding margin (teletext)	55
4.15.1	General	55
4.15.2	Method of measurement and measuring set-up (Figure 31).....	56
4.15.3	Applicability of measuring set-up	56
5	Performance requirements and recommendations	56
5.1	Safety	56
5.2	Electromagnetic compatibility.....	56
5.3	Environmental.....	56
5.4	Marking.....	57
5.4.1	Marking of equipment	57
5.4.2	Marking of ports.....	57
6	Equipment characteristics required to be met	57
6.1	General.....	57
6.2	Power supply voltage	58
6.3	RF signal requirements	58
6.3.1	Impedance (input).....	58
6.3.2	Impedance (output).....	58
6.3.3	Return loss (input, output) of equipment	58
6.3.4	Return loss (output) of headend.....	58
6.3.5	Typical back-off for digital against analogue signals	58
6.3.6	Immunity against other signals in the FM radio and TV range	59
6.3.7	Carrier-to-spurious-signals ratio at output in the frequency range of 40 MHz to 862 MHz	59
6.3.8	Image rejection for AM TV and FM radio.....	60
6.3.9	Carrier to local oscillator signal ratio at the output for AM TV and FM radio	60
6.3.10	Frequency stability	60
6.3.11	Phase noise of digital modulated signals at the output of the headend.....	61
6.3.12	In-channel group delay variation for digital modulated signals	62
6.3.13	In-channel peak-to-peak amplitude response variation for digitally modulated signals.....	63
6.3.14	Stability of sound intercarrier	63
6.3.15	Stability of residual carrier amplitude	63
6.3.16	Frequency stability – SAT IF/IF converter	63
6.3.17	Typical modulation error ratio (MER) for a QAM signal	64
6.3.18	Minimum <i>C/N</i> values at the output of the headend	64
6.4	Composite video signal requirements.....	64
6.4.1	Impedance.....	64
6.4.2	Return loss	65

6.4.3	Signal voltage.....	65
6.4.4	Polarity.....	65
6.4.5	Offset voltage.....	65
6.5	Audio signal requirements.....	65
6.5.1	Input impedance.....	65
6.5.2	Output impedance.....	65
6.5.3	Signal level.....	65
6.6	Requirements for decoding margin (teletext).....	66
6.7	IF signal requirements (AM-TV).....	66
6.7.1	Impedance.....	66
6.7.2	Return loss.....	66
6.8	Antennas for terrestrial reception.....	66
6.8.1	Impedance.....	66
6.8.2	Return loss.....	66
6.9	Antenna amplifier.....	66
7	Equipment characteristics required to be published.....	67
7.1	General.....	67
7.2	Environmental conditions.....	67
7.3	Maximum permissible output level.....	67
7.4	Operating range for output level.....	68
7.5	TV standard.....	68
7.6	Clamp.....	68
7.7	Noise figure.....	68
7.7.1	Equipment without AGC.....	68
7.7.2	Equipment with AGC.....	69
7.8	Data control signals, description of interface.....	69
7.9	Output level stability for TV modulators, TV converters and pilot generators.....	69
7.10	Pilot signal.....	69
7.11	Differential gain and phase.....	70
7.11.1	Differential gain.....	70
7.11.2	Differential phase.....	70
7.12	Group delay variation for analogue TV signals.....	70
7.13	Luminance non-linearity.....	70
7.14	2T-pulse.....	71
7.15	20T-pulse.....	71
7.16	Hum modulation.....	71
7.17	Television carrier-to-noise ratio.....	71
7.18	Audio in TV.....	71
7.19	Processing units for FM radio.....	72
7.19.1	Audio input.....	72
7.19.2	Stereo crosstalk.....	72
7.19.3	Total harmonic distortion.....	72
7.19.4	Intermodulation distortion.....	72
7.19.5	Deviation, pre-emphasis.....	72
7.20	Antennas for terrestrial reception.....	72
7.20.1	Antenna gain.....	72
7.20.2	Sidelobe suppression.....	72
7.20.3	Return loss of antennas.....	72
7.21	Control signals for outdoor units.....	73

Annex A (normative) Definition of the specified test frequency range for return loss and noise figure	74
A.1 Test frequency range for TV channel processor	74
A.2 Test frequency range for sub-band, full-band and multi-band amplifiers	74
A.3 Test frequency range for an FM radio channel processor	74
Annex B (informative) Audio connector for European system according to IEC 60130-9	76
B.1 Contact allocation and mechanical dimensions	76
B.2 Signal-to-pin allocations and applications	76
Annex C (informative) Selectivity diagram for adjacent channel transmission	77
C.1 General	77
C.2 TV modulator for standard PAL B/G with mono or stereo sound	77
C.3 TV modulator for standard PAL B/G with NICAM 728 in the lower adjacent channel	78
C.4 Standard PAL I	78
C.5 Group delay for the standards B/G, D/D1/K and I	79
C.6 Group delay pre-correction for TV modulator for standard B/G	79
C.7 TV modulator for standard SECAM L	80
C.8 Group delay for TV modulator for standard SECAM L	80
C.9 TV modulator for standard PAL D/K with mono or stereo sound	81
Annex D (informative) Differences in some countries	82
D.1 General	82
D.2 Finland, Sweden	82
Annex E (normative) Correction factors for noise	83
E.1 Signal level measurement	83
E.2 Noise level measurement	83
Annex F (informative) Digital signal level and bandwidth	85
F.1 RF/IF power ("carrier")	85
F.2 Occupied bandwidth of a digital signal	85
F.2.1 QAM/QPSK modulation	85
F.2.2 OFDM modulation	86
F.3 Noise bandwidth	86
F.3.1 General	86
F.3.2 QAM/QPSK/8 PSK modulation	87
F.3.3 OFDM modulation	87
F.4 Equivalent signal bandwidth	87
F.4.1 General	87
F.4.2 QAM/QPSK/8 PSK modulation	87
F.4.3 OFDM modulation	87
F.5 Examples	87
Annex G (informative) Minimum frequency distance of converted satellite signals in the IF range	89
Annex H (informative) Measurement errors which occur due to mismatched equipment	90
Annex I (normative) Correction factor for spectrum analyser	91
Bibliography	92
Figure 1 – Example of headend	13
Figure 2 – Examples of IP gateways/interfaces at the input of headends	14
Figure 3 – Examples of IP gateways and interfaces at the output of central headends	15

Figure 4 – Frequencies and levels of test carriers	27
Figure 5 – Test carrier and interfering products in the pass band	28
Figure 6 – Example showing products formed when $2f_a > f_b$	29
Figure 7 – Carrier-to-spurious signal ratio at the output	30
Figure 8 – Carrier-to spurious signal ratio at the output.....	31
Figure 9 – Shoulder attenuation	31
Figure 10 – Arrangement of test equipment for carrier-to-noise ratio measurement.....	32
Figure 11 – Arrangement of test equipment for measurement of differential gain and phase	40
Figure 12 – Signal D2 waveform	40
Figure 13 – Example of modified staircase.....	40
Figure 14 – Measuring set-up for determining the group delay variation.....	41
Figure 15 – RF signal (time domain) amplitude-modulated with a split-frequency signal.....	42
Figure 16 – Spectral presentation of the group delay measurement	43
Figure 17 – Description of the measuring set-up	44
Figure 18 – Choices of measuring aperture (value of the split frequency) for various measurement tests	44
Figure 19 – Test set-up for phase noise measurement.....	46
Figure 20 – Mask for phase noise measurements	47
Figure 21 – Carrier/hum ratio	48
Figure 22 – Test set-up for equipment with built-in power supply	49
Figure 23 – Test set-up for equipment with external power supply	49
Figure 24 – Oscilloscope display.....	50
Figure 25 – <i>K</i> -factor mask for quality grade 2.....	52
Figure 26 – Generation of 20 <i>T</i> -pulse.....	53
Figure 27 – Example of amplitude and delay error using 20 <i>T</i> -pulse.....	53
Figure 28 – Staircase signal for measurement of luminance non-linearity before and after differentiation.....	54
Figure 29 – Example of a possible frequency combination displayed on a spectrum analyser.....	54
Figure 30 – Arrangement of test equipment for intermodulation distortion	55
Figure 31 – Principal measuring set-up for determination of decoding margin	56
Figure 32 – Example of diagram of <i>NF</i> , <i>C/N</i> or <i>S/N</i> for equipment with AGC	69
Figure A.1 – Test frequency range for TV channel processors	74
Figure A.2 – Test frequency range for sub-band, full-band and multi-band amplifiers	74
Figure A.3 – Test frequency range for an FM radio channel processor.....	75
Figure B.1 – Contact allocation and mechanical dimensions	76
Figure C.1 – Selectivity diagram for PAL B/G with mono or stereo sound.....	77
Figure C.2 – Selectivity diagram for PAL B/G with NICAM 728 in the lower adjacent channel.....	78
Figure C.3 – Selectivity diagram for PAL I.....	79
Figure C.4 – Group delay mask for the standards B/G, D/D1/K and I	79
Figure C.5 – Group delay pre-correction diagram for standard B/G	80
Figure C.6 – Selectivity diagram for SECAM L	80
Figure C.7 – Group delay mask for SECAM L	81

Figure C.8 – Selectivity diagram for PAL D/K	81
Figure E.1 – Noise correction factor CF (dB) versus measured level difference D (dB)	84
Figure G.1 – Frequency tolerance of converted signals in the IF range	89
Figure H.1 – Error concerning return loss measurement	90
Figure H.2 – Maximum ripple	90
Table 1 – Test signal levels for the different television standards in decibels relative to reference level	27
Table 2 – Test signal levels in decibels relative to reference level	28
Table 3 – Test signal levels for sound and vision carriers in decibels relative to reference level	30
Table 4 – Noise bandwidth	34
Table 5 – Frequency distances for phase noise measurement	47
Table 6 – Publications for environmental requirements of headend equipment	57
Table 7 – Return loss (input, output) of equipment	58
Table 8 – Return loss (output) of headend	58
Table 9 – Typical levels of digital signals with respect to analogue signals (back-off)	59
Table 10 – Carrier-to-spurious-signals ratio of digital modulated channel with respect to the peak level of an analogue TV carrier	60
Table 11 – Frequency stability for AM TV related to the nominal AM TV frequency	60
Table 12 – Long-term frequency stability for digital modulated signals	61
Table 13 – Shoulder attenuation for digital modulated signals	61
Table 14 – Phase noise of a DVB signal (PSK and QAM)	62
Table 15 – Phase noise of a DVB signal (OFDM)	62
Table 16 – In-channel group delay variation for digital modulated signals	62
Table 17 – In-channel peak-to-peak amplitude response variation of DVB signals	63
Table 18 – Stability of sound intercarrier	63
Table 19 – Stability of residual carrier amplitude	63
Table 20 – Frequency stability – SAT IF/IF converter	64
Table 21 – Minimum requirements for MER for different QAM modulation schemes	64
Table 22 – C/N values for converters at the headend output	64
Table 23 – Return loss	65
Table 24 – Signal voltage	65
Table 25 – Signal level	66
Table 26 – Requirements for decoding margin (Teletext)	66
Table 27 – Return loss – IF signal	66
Table 28 – Return loss – Antennas for terrestrial reception	66
Table 29 – Recommended temperature ranges	67
Table 30 – Carrier-to-third-order intermodulation ratio for maximum output level of channel amplifiers/frequency converters	67
Table 31 – Carrier-to-third-order intermodulation ratio for maximum output level of sub-band, full band, multi-band amplifiers and multi-channel frequency converters for AM TV (not for channel amplifier)	67
Table 32 – Carrier-to-second-order intermodulation ratio for maximum output level of sub-band, full band, multi-band amplifiers and frequency converters for AM TV or FM radio (not for channel amplifier)	68

Table 33 – Carrier-to-intermodulation ratio for maximum output level of FM-TV channel amplifiers/frequency converters	68
Table 34 – Carrier-to-third-order intermodulation ratio for maximum output level of FM TV full band, sub-band amplifiers	68
Table 35 – Output level stability for TV modulators, pilot generators and TV converters.....	69
Table 36 – Recommendation for differential gain	70
Table 37 – Recommendation for differential phase.....	70
Table 38 – Recommendation for group delay variation	70
Table 39 – Recommendation for luminance non-linearity	71
Table 40 – <i>K</i> -factor masks for 2 <i>T</i> -pulse responses.....	71
Table 41 – Recommendations for sidelobe suppression	72
Table 42 – Recommendation for return loss of antennas	72
Table B.1 – Mechanical dimensions	76
Table B.2 – Signal-to-pin allocation	76
Table B.3 – Application	76
Table C.1 – Selectivity table for PAL B/G with mono or stereo sound	78
Table C.2 – Group delay pre-correction table for standard B/G	80
Table E.1 – Noise correction factor	83
Table F.1 – Total number of carriers and channel spacing for the OFDM modes (8 MHz channel).....	86
Table F.2 – Examples of bandwidths for digital modulation techniques	88

INTERNATIONAL ELECTROTECHNICAL COMMISSION

**CABLE NETWORKS FOR TELEVISION SIGNALS,
SOUND SIGNALS AND INTERACTIVE SERVICES –****Part 5: Headend equipment**

FOREWORD

- 1) The International Electrotechnical Commission (IEC) is a worldwide organization for standardization comprising all national electrotechnical committees (IEC National Committees). The object of IEC is to promote international co-operation on all questions concerning standardization in the electrical and electronic fields. To this end and in addition to other activities, IEC publishes International Standards, Technical Specifications, Technical Reports, Publicly Available Specifications (PAS) and Guides (hereafter referred to as “IEC Publication(s)”). Their preparation is entrusted to technical committees; any IEC National Committee interested in the subject dealt with may participate in this preparatory work. International, governmental and non-governmental organizations liaising with the IEC also participate in this preparation. IEC collaborates closely with the International Organization for Standardization (ISO) in accordance with conditions determined by agreement between the two organizations.
- 2) The formal decisions or agreements of IEC on technical matters express, as nearly as possible, an international consensus of opinion on the relevant subjects since each technical committee has representation from all interested IEC National Committees.
- 3) IEC Publications have the form of recommendations for international use and are accepted by IEC National Committees in that sense. While all reasonable efforts are made to ensure that the technical content of IEC Publications is accurate, IEC cannot be held responsible for the way in which they are used or for any misinterpretation by any end user.
- 4) In order to promote international uniformity, IEC National Committees undertake to apply IEC Publications transparently to the maximum extent possible in their national and regional publications. Any divergence between any IEC Publication and the corresponding national or regional publication shall be clearly indicated in the latter.
- 5) IEC itself does not provide any attestation of conformity. Independent certification bodies provide conformity assessment services and, in some areas, access to IEC marks of conformity. IEC is not responsible for any services carried out by independent certification bodies.
- 6) All users should ensure that they have the latest edition of this publication.
- 7) No liability shall attach to IEC or its directors, employees, servants or agents including individual experts and members of its technical committees and IEC National Committees for any personal injury, property damage or other damage of any nature whatsoever, whether direct or indirect, or for costs (including legal fees) and expenses arising out of the publication, use of, or reliance upon, this IEC Publication or any other IEC Publications.
- 8) Attention is drawn to the Normative references cited in this publication. Use of the referenced publications is indispensable for the correct application of this publication.
- 9) Attention is drawn to the possibility that some of the elements of this IEC Publication may be the subject of patent rights. IEC shall not be held responsible for identifying any or all such patent rights.

International Standard IEC 60728-5 has been prepared by Technical Area 5: Cable networks for television signals, sound signals and interactive services, of IEC Technical Committee 100: Audio, video and multimedia systems and equipment.

This third edition cancels and replaces the second edition published in 2007. This edition constitutes a technical revision.

This edition includes the following significant technical changes with respect to the previous edition:

- new text for the introduction, following the scope of IEC TC 100/TA 5;
- introduction of IPTV to the scope;
- headend specification for digital terrestrial TV signals according to the DVB-T2 standard;

- headend specification for digital TV signals in cable networks according to the DVB-S2 standard.

The text of this standard is based on the following documents:

FDIS	Report on voting
100/2555/FDIS	100/2602/RVD

Full information on the voting for the approval of this standard can be found in the report on voting indicated in the above table.

This publication has been drafted in accordance with the ISO/IEC Directives, Part 2.

The list of all the parts of the IEC 60728 series, under the general title *Cable networks for television signals, sound signals and interactive services*, can be found on the IEC website.

For special national conditions existing in some countries, see Annex D.

The committee has decided that the contents of this publication will remain unchanged until the stability date indicated on the IEC website under "<http://webstore.iec.ch>" in the data related to the specific publication. At this date, the publication will be

- reconfirmed,
- withdrawn,
- replaced by a revised edition, or
- amended.

INTRODUCTION

The IEC 60728 series deals with cable networks, including equipment and associated methods of measurement for headend reception, processing and distribution of television and sound signals and for processing, interfacing and transmitting all kinds of data signals for interactive services using all applicable transmission media. These signals are typically transmitted in networks by frequency-multiplexing techniques.

This includes for instance

- regional and local broadband cable networks,
- extended satellite and terrestrial television distribution networks or systems,
- individual satellite and terrestrial television receiving networks or systems,

and all kinds of equipment, systems and installations used in such cable networks, distribution and receiving systems.

The extent of this standardization work is from the antennas and/or special signal source inputs to the headend or other interface points to the network up to the terminal input of the customer premises equipment.

The standardization work will consider coexistence with users of the RF spectrum in wired and wireless transmission systems.

The standardization of any user terminals (i.e. tuners, receivers, decoders, multimedia terminals, etc.) as well as of any coaxial, balanced and optical cables and accessories thereof is excluded.

CABLE NETWORKS FOR TELEVISION SIGNALS, SOUND SIGNALS AND INTERACTIVE SERVICES –

Part 5: Headend equipment

1 Scope

This part of IEC 60728 specifies the characteristics of equipment used in the headends of terrestrial broadcast and satellite receiving systems (without satellite outdoor units and without those broadband amplifiers in the headend as described in IEC 60728-3). The satellite outdoor units for fixed satellite systems (FSS) are described in ETSI ETS 300 158, and for broadcast satellite systems (BSS) in ETSI ETS 300 249. Test methods for both types (FSS and BSS) of satellite outdoor units are laid down in ETSI ETS 300 457.

This part of IEC 60728

- a) covers the frequency range 5 MHz to 3 000 MHz;
- b) identifies performance requirements for certain parameters;
- c) lays down data publication requirements for certain parameters;
- d) stipulates methods of measurements;
- e) introduces minimum requirements defining quality grades (Q-grades).

This part of IEC 60728 specifies the overall characteristics for upstream/downstream signals between external sources/sinks (for example, antennas, cable modem termination systems, etc.) and the system interface to the cable network. In the case of modular headend systems, single equipment items such as modulators, converters, etc. are also described. Cable modem termination systems, encrypters, decrypters, etc. are not described in this part of IEC 60728. If such equipment is used in headends, the relevant parameters for RF, video, audio and data interfaces should be met.

According to the definitions in 3.1, the headends are divided into the following three quality grades:

- Grade 1: central headend;
- Grade 2: hub headend or hubsite;
- Grade 3: MATV headend/individual reception headend.

Figure 1 shows the block diagram of a headend consisting of typical processing units with the corresponding interfaces at the input and output.

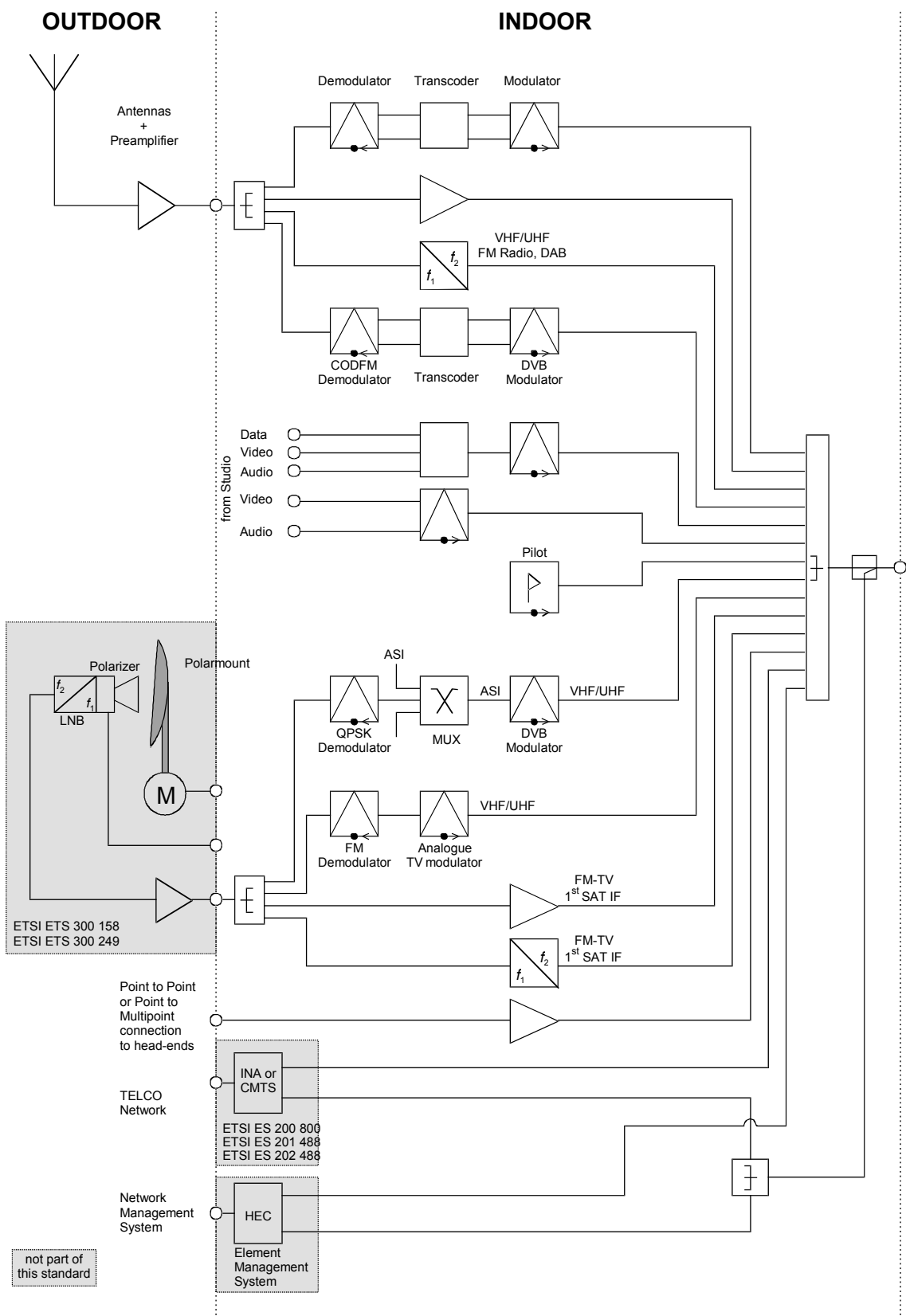


Figure 1 – Example of headend

For IP interfaces, specifications from the transmission standard ETSI TS 102 034 are taken into account where applicable. The content of the data streams can be digital video, audio or other digital data.

The necessary characteristics and parameters of equipment such as IP gateways or IP interfaces on equipment at the input of headends (Figure 2) as well as at the output of headends (Figure 3) are described in CLC/TR 50083-5-1.

Equipment at the input of headends can be either IP gateways which enable the connection to a Digital Video Broadcasting-Asynchronous Serial Interface (DVB-ASI) headend infrastructure according to EN 50083-9 or, in the case of modular headend systems, can also be single equipment with IP interfaces such as DVB modulators, transcoders, multiplexers and FM radio processors as shown in Figure 2. Edge devices are also covered by CLC/TR 50083-5-1.

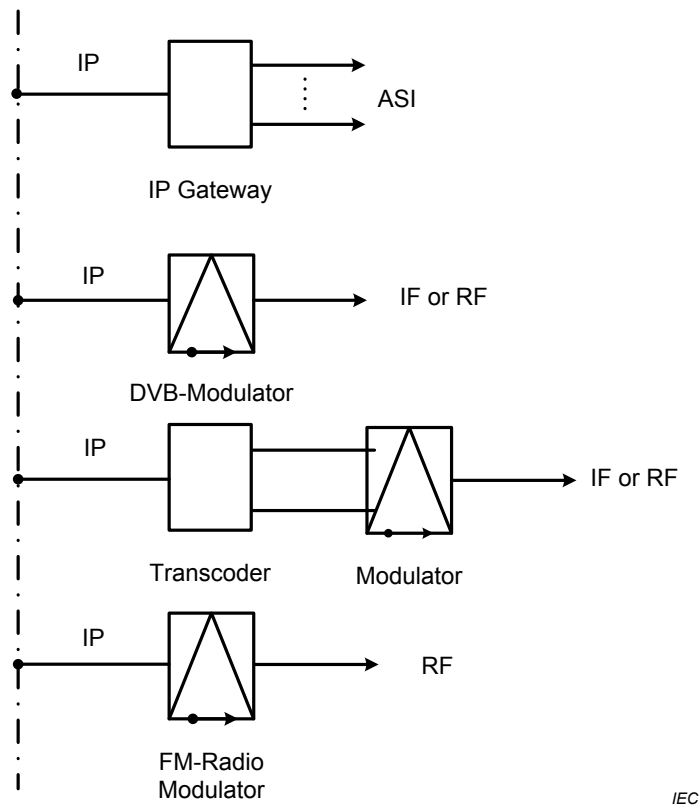


Figure 2 – Examples of IP gateways/interfaces at the input of headends

Equipment at the output of headends can be either IP gateways which enable the connection from DVB-ASI interfaces according to EN 50083-9 to IP based networks or, in the case of modular headend systems, can also be single equipment with IP interfaces such as encoders, multiplexers and switches as shown in Figure 3.

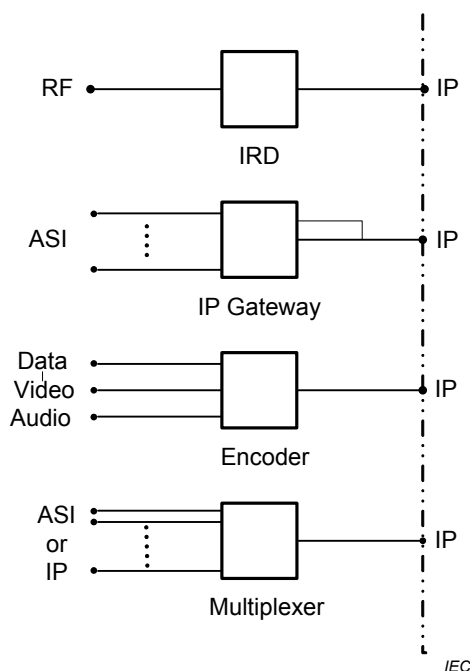


Figure 3 – Examples of IP gateways and interfaces at the output of central headends

2 Normative references

The following documents, in whole or in part, are normatively referenced in this document and are indispensable for its application. For dated references, only the edition cited applies. For undated references, the latest edition of the referenced document (including any amendments) applies.

IEC 60068-2-1, *Environmental testing – Part 2-1: Tests – Test A: Cold*

IEC 60068-2-2, *Environmental testing – Part 2-2: Tests – Test B: Dry heat*

IEC 60068-2-14, *Environmental testing – Part 2-14: Tests – Test N: Change of temperature*

IEC 60068-2-27, *Environmental testing – Part 2-27: Tests – Test Ea and guidance: Shock*

IEC 60068-2-30, *Environmental testing – Part 2-30: Tests – Test Db: Damp heat, cyclic (12 h + 12 h cycle)*

IEC 60068-2-31, *Environmental testing – Part 2-31: Tests – Test Ec: Rough handling shocks, primarily for equipment-type specimens*

IEC 60068-2-40, *Basic environmental testing procedures – Part 2-40: Tests – Test Z/AM: Combined cold/low air pressure tests*

IEC 60244-5, *Methods of measurement for radio transmitters – Part 5: Performance characteristics of television transmitters*

IEC 60529, *Degrees of protection provided by enclosures (IP Code)*

IEC 60728-1, *Cable networks for television signals, sound signals and interactive services – Part 1: System performance of forward paths*

IEC 60728-2, *Cable networks for television signals, sound signals and interactive services – Part 2: Electromagnetic compatibility for equipment*

IEC 60728-3:2010, *Cable networks for television signals, sound signals and interactive services – Part 3: Active wideband equipment for cable networks*

IEC 60728-11, *Cable networks for television signals, sound signals and interactive services – Part 11: Safety*

IEC 61319-1, *Interconnections of satellite receiving equipment – Part 1: Europe*

ISO/IEC 13818-1, *Information technology – Generic coding of moving pictures and associated audio information – Part 1: Systems*

ISO/IEC 13818-2, *Information technology – Generic coding of moving pictures and associated audio information – Part 2: Video*

ISO/IEC 13818-3, *Information technology – Generic coding of moving pictures and associated audio information – Part 3: Audio*

ISO/IEC 13818-4, *Information technology – Generic coding of moving pictures and associated audio information – Part 4: Conformance testing*

ITU-R Recommendation BS.468-4, *Measurement of audio-frequency noise voltage level in sound broadcasting*

ITU-R Report BT.624-4, *Characteristics of television systems*

ITU-T Recommendation J.61, *Transmission performance of television circuits designed for use in international connections*

ITU-T Recommendation J.101, *Measurement methods and test procedures for teletext signals*

ETSI EN 300 421, *Digital Video Broadcasting (DVB); Framing structure, channel coding and modulation for 11/12 GHz satellite services*

ETSI EN 300 429, *Digital Video Broadcasting (DVB); Framing structure, channel coding and modulation for cable systems*

ETSI EN 300 468, *Digital Video Broadcasting (DVB); Specification for Service Information (SI) in DVB systems*

ETSI EN 300 473, *Digital Video Broadcasting (DVB); Satellite Master Antenna Television (SMATV) distribution systems*

ETSI EN 300 744, *Digital Video Broadcasting (DVB); Framing structure, channel coding and modulation for digital terrestrial television*

ETSI EN 302 307, *Digital Video Broadcasting (DVB); Second generation framing structure, channel coding and modulation systems for Broadcasting, Interactive Services, News Gathering and other broadband satellite applications (DVB-S2)*

ETSI EN 302 755, *Digital Video Broadcasting (DVB); Frame structure channel coding and modulation for a second generation digital terrestrial television broadcasting system (DVB-T2)*

ETSI ETS 300 163, *Television systems; NICAM 728: Specification for transmission of two-channel digital sound with terrestrial television systems B, G, H, I and L*

ETSI TR 101 211, *Digital Video Broadcasting (DVB); Guidelines on implementation and usage of Service Information (SI)*

SOMMAIRE

AVANT-PROPOS	102
INTRODUCTION	104
1 Domaine d'application	105
2 Références normatives	108
3 Termes, définitions, symboles et abréviations	110
3.1 Termes et définitions	110
3.2 Symboles	115
3.3 Abréviations	116
4 Méthodes de mesure	118
4.1 Méthodes de mesure des signaux modulés numériquement	118
4.1.1 Généralités	118
4.1.2 Hypothèses fondamentales et interfaces de mesure	118
4.1.3 Niveau du signal pour les signaux à modulation numérique	119
4.2 Spécification d'intermodulation monocanal pour amplificateur monocanal et convertisseur de fréquence	120
4.3 Mesure d'intermodulation à trois porteuses	121
4.4 Mesures d'intermodulation à deux porteuses pour les produits d'ordre deux et trois	122
4.4.1 Généralités	122
4.4.2 Produits d'intermodulation avec des signaux d'essais aux fréquences f_a et f_b	123
4.4.3 Niveaux des signaux	123
4.5 Rapport porteuse sur signaux parasites en sortie	123
4.5.1 Rapport porteuse sur signaux parasites en sortie des équipements pour systèmes de télévision à modulation d'amplitude	123
4.5.2 Rapport porteuse sur signaux parasites en sortie des équipements pour systèmes de télévision à modulation de fréquence	124
4.5.3 Atténuation du palier	125
4.6 Mesure du rapport signal sur bruit	126
4.6.1 Rapport porteuse sur bruit en télévision (signaux à modulation analogique)	126
4.6.2 Rapport signal RF sur bruit ($S_{D,RF}/N$) pour les signaux modulés numériquement	129
4.7 Gain et phase différentiels pour les signaux PAL ou SECAM	131
4.7.1 Généralités	131
4.7.2 Gain différentiel (uniquement pour les signaux PAL ou SECAM)	131
4.7.3 Phase différentielle	133
4.8 Mesures du temps de propagation de groupe	135
4.8.1 Variation du temps de propagation de groupe des signaux TV analogiques	135
4.8.2 Procédure de mesure de la variation du temps de propagation de groupe sur les convertisseurs de canaux DVB	136
4.9 Bruit de phase d'une porteuse RF	139
4.9.1 Généralités	139
4.9.2 Équipement exigé	140
4.9.3 Raccordement de l'équipement	140
4.9.4 Procédure de mesure	140
4.9.5 Présentation des résultats	141

4.10	Modulation de ronflement de porteuse	142
4.10.1	Généralités	142
4.10.2	Description de la méthode de mesure	142
4.10.3	Procédure de mesure	144
4.10.4	Calcul du rapport de modulation de ronflement	145
4.11	Réponse à une impulsion $2T$, facteur K	145
4.12	Inégalités de retard chrominance/luminance (méthode d'impulsion $20T$)	146
4.13	Non-linéarité de luminance	148
4.14	Distorsion d'intermodulation (radio stéréo FM)	149
4.14.1	Généralités	149
4.14.2	Équipement exigé	149
4.14.3	Montage de mesure	150
4.14.4	Mesurage	150
4.15	Marge de décodage (télétexte)	150
4.15.1	Généralités	150
4.15.2	Méthode de mesure et montage de mesure (Figure 31)	151
4.15.3	Performance du montage de mesure	151
5	Exigences et recommandations relatives aux performances	151
5.1	Sécurité	151
5.2	Compatibilité électromagnétique	151
5.3	Conditions ambiantes	151
5.4	Marquage	152
5.4.1	Marquage de l'équipement	152
5.4.2	Marquage des accès	152
6	Caractéristiques des équipements devant être respectées	152
6.1	Généralités	152
6.2	Tension d'alimentation	153
6.3	Exigences relatives au signal RF	153
6.3.1	Impédance (entrée)	153
6.3.2	Impédance (sortie)	153
6.3.3	Facteur d'adaptation (en entrée, en sortie) de l'équipement	153
6.3.4	Facteur d'adaptation (sortie) de la tête de réseau	153
6.3.5	Réduction de puissance des signaux numériques par rapport aux signaux analogiques	153
6.3.6	Immunité contre les autres signaux dans plage radio FM et la plage télévision	154
6.3.7	Rapport porteuse sur signaux parasites en sortie dans la plage de fréquences comprise entre 40 MHz et 862 MHz	154
6.3.8	Affaiblissement sur la fréquence conjuguée pour TV AM et radio FM	155
6.3.9	Rapport porteuse sur signal d'oscillateur local en sortie pour TV AM et radio FM	155
6.3.10	Stabilité de la fréquence	155
6.3.11	Bruit de phase des signaux à modulation numérique en sortie de la tête de réseau	156
6.3.12	Variation du temps de propagation de groupe dans les canaux pour signaux à modulation numérique	157
6.3.13	Variation de réponse amplitude-fréquence crête à crête dans les canaux pour signaux à modulation numérique	158
6.3.14	Stabilité de l'interporteuse son	158
6.3.15	Stabilité de l'amplitude de porteuse résiduelle	158

6.3.16	Stabilité de la fréquence – Convertisseur SAT IF/IF	159
6.3.17	Rapport d'erreur de modulation (MER) classique pour un signal QAM	159
6.3.18	Valeurs <i>C/N</i> minimales à la sortie de la tête de réseau	159
6.4	Exigences relatives au signal vidéo composite	160
6.4.1	Impédance	160
6.4.2	Facteur d'adaptation	160
6.4.3	Tension du signal	160
6.4.4	Polarité	160
6.4.5	Tension de décalage	160
6.5	Exigences relatives au signal audio	160
6.5.1	Impédance d'entrée	160
6.5.2	Impédance de sortie	161
6.5.3	Niveau de signal	161
6.6	Exigences relatives à la marge de décodage (télétexte)	161
6.7	Exigences relatives aux signaux IF (TV AM)	161
6.7.1	Impédance	161
6.7.2	Facteur d'adaptation	161
6.8	Antennes pour réception terrestre	161
6.8.1	Impédance	161
6.8.2	Facteur d'adaptation	162
6.9	Amplificateur d'antenne	162
7	Caractéristiques des équipements devant être publiées	162
7.1	Généralités	162
7.2	Conditions environnementales	162
7.3	Niveau de sortie maximal admissible	162
7.4	Plage de fonctionnement pour le niveau de sortie	164
7.5	Norme de télévision	164
7.6	Pince	164
7.7	Facteur de bruit	164
7.7.1	Équipement sans AGC	164
7.7.2	Équipement avec AGC	164
7.8	Signaux de contrôle de données, description de l'interface	164
7.9	Stabilité du niveau du signal de sortie pour les modulateurs TV, les convertisseurs TV et les générateurs de signaux pilotes	165
7.10	Signal pilote	165
7.11	Gain différentiel et phase différentielle	165
7.11.1	Gain différentiel	165
7.11.2	Phase différentielle	165
7.12	Variation du temps de propagation de groupe pour les signaux TV analogiques	165
7.13	Non-linéarité de luminance	166
7.14	Impulsion $2T$	166
7.15	Impulsion $20T$	166
7.16	Modulation de ronflement	167
7.17	Rapport porteuse sur bruit en télévision	167
7.18	Son en TV	167
7.19	Unités de traitement pour radio FM	167
7.19.1	Entrée audio	167
7.19.2	Diaphonie en stéréo	167

7.19.3	Distorsion harmonique totale	167
7.19.4	Distorsion d'intermodulation.....	167
7.19.5	Écart, préaccentuation.....	167
7.20	Antennes pour réception terrestre	168
7.20.1	Gain d'antenne	168
7.20.2	Suppression du lobe secondaire	168
7.20.3	Facteur d'adaptation des antennes	168
7.21	Signaux de commande pour les unités extérieures.....	168
Annexe A (normative) Définition de la plage de fréquences d'essais spécifiée pour le facteur d'adaptation et le facteur de bruit		169
A.1	Plage de fréquences d'essais pour le traitement d'un canal TV	169
A.2	Plage de fréquences d'essais pour les amplificateurs sous-bande, pleine bande et multibande	169
A.3	Plage de fréquences d'essais pour le traitement d'un canal radio FM.....	170
Annexe B (informative) Connecteur audio destiné aux systèmes européens conformément à l'IEC 60130-9.....		171
B.1	Attribution de contact et dimensions mécaniques	171
B.2	Attributions signal à contact et applications.....	171
Annexe C (informative) Schéma de sélectivité pour la transmission de canaux adjacents		172
C.1	Généralités	172
C.2	Modulateur TV pour norme PAL B/G avec son mono ou stéréo	172
C.3	Modulateur TV pour norme PAL B/G avec NICAM 728 dans le canal adjacent inférieur	173
C.4	Norme PAL I	173
C.5	Temps de propagation de groupe pour les normes B/G, D/D1/K et I.....	174
C.6	Précourrection du temps de propagation de groupe pour modulateur TV pour norme B/G	175
C.7	Modulateur TV pour norme SECAM L.....	175
C.8	Temps de propagation de groupe pour modulateur TV pour norme SECAM L	176
C.9	Modulateur TV pour norme PAL D/K avec son mono ou stéréo	177
Annexe D (informative) Différences dans certains pays		178
D.1	Généralités	178
D.2	Finlande, Suède.....	178
Annexe E (normative) Facteurs de correction pour le bruit.....		179
E.1	Mesure du niveau de signal	179
E.2	Mesure du niveau de bruit.....	179
Annexe F (informative) Niveau et largeur de bande du signal numérique		181
F.1	Puissance RF/IF ("porteuse").....	181
F.2	Largeur de bande occupée d'un signal numérique.....	181
F.2.1	Modulation QAM/QPSK.....	181
F.2.2	Modulation OFDM.....	182
F.3	Largeur de bande de bruit.....	183
F.3.1	Généralités	183
F.3.2	Modulation QAM/QPSK/8 PSK.....	183
F.3.3	Modulation OFDM.....	183
F.4	Largeur de bande équivalente du signal.....	183
F.4.1	Généralités	183
F.4.2	Modulation QAM/QPSK/8PSK.....	183

F.4.3	Modulation OFDM.....	183
F.5	Exemples.....	183
Annexe G (informative)	Distance de fréquence minimale des signaux satellites convertis dans la plage IF.....	185
Annexe H (informative)	Erreurs de mesure se produisant à cause d'équipements mal adaptés.....	186
Annexe I (normative)	Facteur de correction pour l'analyseur de spectre.....	187
	Bibliographie.....	188
Figure 1	– Exemple de tête de réseau.....	106
Figure 2	– Exemples de passerelles IP ou d'interfaces IP à l'entrée des têtes de réseaux.....	107
Figure 3	– Exemples de passerelles et d'interfaces IP à la sortie des têtes de réseaux centrales.....	108
Figure 4	– Fréquences et niveaux des porteuses d'essais.....	121
Figure 5	– Porteuse d'essai et produits perturbateurs dans la bande passante.....	122
Figure 6	– Exemple de produits formés lorsque $2f_a > f_b$	123
Figure 7	– Rapport porteuse sur signaux parasites en sortie.....	124
Figure 8	– Rapport porteuse sur signaux parasites en sortie.....	125
Figure 9	– Atténuation du palier.....	125
Figure 10	– Disposition de l'équipement d'essai pour la mesure du rapport porteuse sur bruit.....	126
Figure 11	– Disposition de l'équipement d'essai pour la mesure du gain différentiel et de la phase différentielle.....	134
Figure 12	– Forme d'onde signal D2.....	134
Figure 13	– Exemple de forme d'onde en marches d'escalier, modifiée.....	135
Figure 14	– Montage de mesure pour déterminer la variation du temps de propagation de groupe.....	135
Figure 15	– Signal RF (domaine temporel) modulé en amplitude avec un signal à fréquence dédoublée.....	137
Figure 16	– Présentation spectrale de la mesure du temps de propagation de groupe.....	137
Figure 17	– Description du montage de mesure.....	138
Figure 18	– Choix de l'ouverture de mesure (valeur de la fréquence dédoublée) pour différents essais de mesure.....	139
Figure 19	– Montage d'essai pour la mesure du bruit de phase.....	140
Figure 20	– Masque pour les mesures du bruit de phase.....	142
Figure 21	– Rapport porteuse sur ronflement.....	142
Figure 22	– Montage d'essai pour équipements à alimentation intégrée.....	143
Figure 23	– Montage d'essai pour équipements à alimentation externe.....	144
Figure 24	– Affichage de l'oscilloscope.....	145
Figure 25	– Gabarit pour le facteur K pour la classe 2.....	146
Figure 26	– Génération de l'impulsion $20T$	147
Figure 27	– Exemple d'erreurs d'amplitude et de temps de propagation avec l'impulsion $20T$	148
Figure 28	– Signal comportant plusieurs niveaux pour la mesure de la non-linéarité de luminance avant et après différentiation.....	149

Figure 29 – Exemple de combinaison de fréquences possible affichée sur un analyseur de spectre.....	149
Figure 30 – Disposition de l'équipement d'essai pour la mesure de la distorsion d'intermodulation	150
Figure 31 – Montage de mesure principal pour la détermination de la marge de décodage.....	151
Figure 32 – Exemple de schéma de NF , C/N ou S/N pour un équipement avec AGC.....	164
Figure A.1 – Plage de fréquences d'essais pour le traitement d'un canal TV	169
Figure A.2 – Plage de fréquences d'essais pour amplificateurs sous-bande, pleine bande et multibande	169
Figure A.3 – Plage de fréquences d'essais pour le traitement d'un canal radio FM.....	170
Figure B 1 – Attribution de contact et dimensions mécaniques	171
Figure C.1 – Schéma de sélectivité pour PAL B/G avec son mono ou stéréo	172
Figure C.2 – Schéma de sélectivité pour PAL B/G avec NICAM 728 dans le canal adjacent inférieur	173
Figure C.3 – Schéma de sélectivité pour PAL I	174
Figure C.4 – Gabarit de temps de propagation de groupe pour les normes B/G, D/D1/K et I.....	174
Figure C.5 – Schéma de précorrection du temps de propagation de groupe pour norme B/G	175
Figure C.6 – Schéma de sélectivité pour SECAM L.....	176
Figure C.7 – Gabarit du temps de propagation de groupe pour SECAM L	176
Figure C.8 – Schéma de sélectivité pour PAL D/K.....	177
Figure E.1 – Facteur de correction du niveau de bruit CF (dB) par rapport à la différence de niveau mesurée D (dB).....	180
Figure G.1 – Tolérance de fréquence des signaux convertis dans la plage des fréquences intermédiaires.....	185
Figure H.1 – Erreur concernant les mesures du facteur d'adaptation.....	186
Figure H.2 – Ondulation maximale	186
Tableau 1 – Niveaux des signaux d'essais pour les différentes normes de télévision en décibels par rapport au niveau de référence	121
Tableau 2 – Niveaux des signaux d'essais en décibels par rapport au niveau de référence	122
Tableau 3 – Niveaux des signaux d'essais des porteuses image et son en décibels par rapport au niveau de référence	124
Tableau 4 – Largeur de bande de bruit	128
Tableau 5 – Distances de fréquence pour la mesure du bruit de phase	141
Tableau 6 – Publications relatives aux exigences environnementales des équipements de tête de réseau.....	152
Tableau 7 – Facteur d'adaptation (en entrée, en sortie) de l'équipement.....	153
Tableau 8 – Facteur d'adaptation (sortie) de tête de réseau.....	153
Tableau 9 – Niveaux typiques des signaux numériques par rapport aux signaux analogiques (réduction de puissance).....	154
Tableau 10 – Rapport porteuse sur signaux parasites d'un canal à modulation numérique par rapport au niveau de crête d'une porteuse TV analogique	155
Tableau 11 – Stabilité de la fréquence pour TV AM par rapport à la fréquence TV AM nominale.....	155

Tableau 12 – Stabilité de la fréquence à long terme des signaux à modulation numérique.....	156
Tableau 13 – Atténuation du palier des signaux à modulation numérique.....	156
Tableau 14 – Bruit de phase d'un signal DVB (PSK et QAM).....	157
Tableau 15 – Bruit de phase d'un signal DVB (OFDM).....	157
Tableau 16 – Variation du temps de propagation de groupe dans les canaux pour les signaux à modulation numérique.....	158
Tableau 17 – Variation de réponse amplitude-fréquence crête à crête dans les canaux pour les signaux DVB.....	158
Tableau 18 – Stabilité de l'interporteuse son.....	158
Tableau 19 – Stabilité de l'amplitude de porteuse résiduelle.....	159
Tableau 20 – Stabilité de la fréquence – Convertisseur SAT IF/IF.....	159
Tableau 21 – Exigences minimales pour le MER pour différents schémas de modulation QAM.....	159
Tableau 22 – Valeurs C/N des convertisseurs à la sortie de la tête de réseau.....	160
Tableau 23 – Facteur d'adaptation.....	160
Tableau 24 – Tension du signal.....	160
Tableau 25 – Niveau de signal.....	161
Tableau 26 – Exigences relatives à la marge de décodage (télétexte).....	161
Tableau 27 – Facteur d'adaptation – Signal IF.....	161
Tableau 28 – Facteur d'adaptation – Antennes pour réception terrestre.....	162
Tableau 29 – Plages de températures recommandées.....	162
Tableau 30 – Rapport porteuse sur intermodulation d'ordre trois pour le niveau de sortie maximal des amplificateurs de canaux/convertisseurs de fréquences.....	163
Tableau 31 – Rapport porteuse sur intermodulation d'ordre trois pour le niveau de sortie maximal des amplificateurs sous-bande, pleine bande et multibande et des convertisseurs de fréquences multicanaux pour TV AM (pas pour l'amplificateur de canaux).....	163
Tableau 32 – Rapport porteuse sur intermodulation d'ordre deux pour le niveau de sortie maximal des amplificateurs sous-bande, pleine bande et multibande et des convertisseurs de fréquences pour TV AM et radio FM (pas pour l'amplificateur de canaux).....	163
Tableau 33 – Rapport porteuse sur intermodulation pour le niveau de sortie maximal des amplificateurs de canaux TV FM/convertisseurs de fréquences.....	163
Tableau 34 – Rapport porteuse sur intermodulation d'ordre trois pour le niveau de sortie maximal des amplificateurs TV FM pleine bande et sous-bande.....	163
Tableau 35 – Stabilité du niveau de sortie des modulateurs TV, des convertisseurs TV et les générateurs de signaux pilotes.....	165
Tableau 36 – Recommandations pour le gain différentiel.....	165
Tableau 37 – Recommandations pour la phase différentielle.....	165
Tableau 38 – Recommandations pour la variation du temps de propagation de groupe.....	166
Tableau 39 – Recommandations pour la non-linéarité de luminance.....	166
Tableau 40 – Gabarits de facteur K pour les réponses d'impulsion $2T$	166
Tableau 41 – Recommandations pour la suppression du lobe secondaire.....	168
Tableau 42 – Recommandations pour le facteur d'adaptation des antennes.....	168
Tableau B.1 – Dimensions mécaniques.....	171
Tableau B.2 – Attribution signal à contact.....	171

Tableau B.3 – Application	171
Tableau C.1 – Tableau de sélectivité pour PAL B/G avec son mono ou stéréo	173
Tableau C.2 – Tableau de précorrection du temps de propagation de groupe pour norme B/G	175
Tableau E.1 – Facteur de correction du niveau de bruit	179
Tableau F.1 – Nombre total de porteuses et espacement entre les canaux pour les modes OFDM (canal de 8 MHz)	182
Tableau F.2 – Exemples de largeurs de bande pour des techniques de modulation numérique.....	184

COMMISSION ÉLECTROTECHNIQUE INTERNATIONALE

RÉSEAUX DE DISTRIBUTION PAR CÂBLES POUR SIGNAUX DE TÉLÉVISION, SIGNAUX DE RADIODIFFUSION SONORE ET SERVICES INTERACTIFS –

Partie 5: Équipements de tête de réseau

AVANT-PROPOS

- 1) La Commission Electrotechnique Internationale (IEC) est une organisation mondiale de normalisation composée de l'ensemble des comités électrotechniques nationaux (Comités nationaux de l'IEC). L'IEC a pour objet de favoriser la coopération internationale pour toutes les questions de normalisation dans les domaines de l'électricité et de l'électronique. A cet effet, l'IEC – entre autres activités – publie des Normes internationales, des Spécifications techniques, des Rapports techniques, des Spécifications accessibles au public (PAS) et des Guides (ci-après dénommés "Publication(s) de l'IEC"). Leur élaboration est confiée à des comités d'études, aux travaux desquels tout Comité national intéressé par le sujet traité peut participer. Les organisations internationales, gouvernementales et non gouvernementales, en liaison avec l'IEC, participent également aux travaux. L'IEC collabore étroitement avec l'Organisation Internationale de Normalisation (ISO), selon des conditions fixées par accord entre les deux organisations.
- 2) Les décisions ou accords officiels de l'IEC concernant les questions techniques représentent, dans la mesure du possible, un accord international sur les sujets étudiés, étant donné que les Comités nationaux de l'IEC intéressés sont représentés dans chaque comité d'études.
- 3) Les Publications de l'IEC se présentent sous la forme de recommandations internationales et sont agréées comme telles par les Comités nationaux de l'IEC. Tous les efforts raisonnables sont entrepris afin que l'IEC s'assure de l'exactitude du contenu technique de ses publications; l'IEC ne peut pas être tenue responsable de l'éventuelle mauvaise utilisation ou interprétation qui en est faite par un quelconque utilisateur final.
- 4) Dans le but d'encourager l'uniformité internationale, les Comités nationaux de l'IEC s'engagent, dans toute la mesure possible, à appliquer de façon transparente les Publications de l'IEC dans leurs publications nationales et régionales. Toutes divergences entre toutes Publications de l'IEC et toutes publications nationales ou régionales correspondantes doivent être indiquées en termes clairs dans ces dernières.
- 5) L'IEC elle-même ne fournit aucune attestation de conformité. Des organismes de certification indépendants fournissent des services d'évaluation de conformité et, dans certains secteurs, accèdent aux marques de conformité de l'IEC. L'IEC n'est responsable d'aucun des services effectués par les organismes de certification indépendants.
- 6) Tous les utilisateurs doivent s'assurer qu'ils sont en possession de la dernière édition de cette publication.
- 7) Aucune responsabilité ne doit être imputée à l'IEC, à ses administrateurs, employés, auxiliaires ou mandataires, y compris ses experts particuliers et les membres de ses comités d'études et des Comités nationaux de l'IEC, pour tout préjudice causé en cas de dommages corporels et matériels, ou de tout autre dommage de quelque nature que ce soit, directe ou indirecte, ou pour supporter les coûts (y compris les frais de justice) et les dépenses découlant de la publication ou de l'utilisation de cette Publication de l'IEC ou de toute autre Publication de l'IEC, ou au crédit qui lui est accordé.
- 8) L'attention est attirée sur les références normatives citées dans cette publication. L'utilisation de publications référencées est obligatoire pour une application correcte de la présente publication.
- 9) L'attention est attirée sur le fait que certains des éléments de la présente Publication de l'IEC peuvent faire l'objet de droits de brevet. L'IEC ne saurait être tenue pour responsable de ne pas avoir identifié de tels droits de brevets et de ne pas avoir signalé leur existence.

La Norme internationale IEC 60728-5 a été établie par le Domaine Technique 5: Réseaux de distribution par câbles pour signaux de télévision, signaux de radiodiffusion sonore et services interactifs, du comité d'études 100 de l'IEC: Systèmes et équipements audio, vidéo et services de données.

Cette troisième édition annule et remplace la deuxième édition parue en 2007. Cette édition constitue une révision technique.

Cette édition inclut les modifications techniques majeures suivantes par rapport à l'édition précédente:

- nouveau texte pour l'introduction suivant le domaine d'application de l'IEC TC 100/TA 5;

- introduction de l'IPTV au domaine d'application;
- spécification relative aux têtes de réseaux pour signaux TV numériques par voie terrestre conformément à la norme DVB-T2;
- spécification relative aux têtes de réseaux pour signaux TV numériques dans des réseaux de distribution par câbles conformément à la norme DVB-S2.

Le texte de la présente norme est issu des documents suivants:

FDIS	Rapport de vote
100/2555/FDIS	100/2602/RVD

Le rapport de vote indiqué dans le tableau ci-dessus donne toute information sur le vote ayant abouti à l'approbation de cette norme.

Cette publication a été rédigée selon les Directives ISO/IEC, Partie 2.

La liste de toutes les parties de la série IEC 60728, publiées sous le titre général: *Réseaux de distribution par câbles pour signaux de télévision, signaux de radiodiffusion sonore et services interactifs*, peut être consultée sur le site web de l'IEC.

Pour les conditions nationales particulières existant dans certains pays, voir Annexe D.

Le comité a décidé que le contenu de cette publication ne sera pas modifié avant la date de stabilité indiquée sur le site web de l'IEC sous "<http://webstore.iec.ch>" dans les données relatives à la publication recherchée. A cette date, la publication sera

- reconduite,
- supprimée,
- remplacée par une édition révisée, ou
- amendée.

INTRODUCTION

La série IEC 60728 traite des réseaux de distribution par câbles, y compris les équipements et méthodes associées de mesure pour la réception en tête de réseau, le traitement et la distribution des signaux de télévision et des signaux de radiodiffusion sonore, et pour le traitement, l'interfaçage et la transmission de toutes sortes de signaux de données pour les services interactifs, utilisant tout support de transmission applicable. Ces signaux sont généralement transmis dans des réseaux par des techniques de multiplexage fréquentiel.

Cela comprend par exemple

- les réseaux régionaux et locaux de distribution par câbles à large bande,
- les réseaux ou systèmes étendus de distribution de télévision terrestre et par satellite,
- les réseaux ou systèmes individuels de réception de télévision terrestre et par satellite,

et tous types d'équipements, de systèmes et d'installations utilisés dans de tels réseaux de distribution par câbles, systèmes de distribution et systèmes de réception.

Ce travail de normalisation va des antennes et/ou des entrées pour source de signal particulière en tête de réseau ou encore d'autres points d'interface d'accès au réseau jusqu'à l'entrée du terminal de l'équipement de l'abonné.

Le travail de normalisation prend en compte la coexistence des utilisateurs du spectre RF (radiofréquence – *Radio Frequency*) dans les systèmes de transmission filaires et sans fil.

La normalisation des terminaux (c'est-à-dire, syntoniseurs, récepteurs, décodeurs, terminaux multimédias, etc.) et des câbles coaxiaux, à paires symétriques et optiques et leurs accessoires, en est exclue.

RÉSEAUX DE DISTRIBUTION PAR CÂBLES POUR SIGNAUX DE TÉLÉVISION, SIGNAUX DE RADIODIFFUSION SONORE ET SERVICES INTERACTIFS –

Partie 5: Équipements de tête de réseau

1 Domaine d'application

La présente partie de l'IEC 60728 spécifie les caractéristiques de l'équipement utilisé dans les têtes de réseaux pour la réception de la radiodiffusion terrestre et par satellite (à l'exception des unités extérieures et des amplificateurs large bande situés dans la tête de réseau tels que décrits dans l'IEC 60728-3). Les unités extérieures sont décrites dans l'ETSI ETS 300 158 pour la réception des satellites de service fixe et dans l'ETSI ETS 300 249 pour la réception des satellites de radiodiffusion. Les méthodes d'essais pour les deux types d'unités extérieures pour la réception des satellites de service fixe et de radiodiffusion sont spécifiées dans l'ETSI ETS 300 457.

La présente partie de l'IEC 60728

- a) couvre la plage de fréquences de 5 MHz à 3 000 MHz;
- b) identifie les exigences de fonctionnement pour certains paramètres;
- c) spécifie les exigences relatives à la publication des données pour certains paramètres;
- d) stipule les méthodes de mesure,
- e) présente les exigences minimales définissant les classes de qualité (Q).

La présente partie de l'IEC 60728 spécifie les caractéristiques générales des signaux amont/aval entre des sources ou des destinataires externes (par exemple, antennes, systèmes de terminaison par modem câble, etc.) et l'interface système avec le réseau de câbles. Dans le cas de systèmes à têtes de réseaux modulaires, les équipements simples tels que les modulateurs, les convertisseurs, etc. sont également décrits. Les systèmes de terminaison par modem câble, les embrouilleurs, désembrouilleurs, etc., ne sont pas décrits dans la présente partie de l'IEC 60728. Si de tels équipements sont utilisés dans les têtes de réseaux, il convient de respecter les paramètres des interfaces pour RF, vidéo, audio et pour les données.

Conformément aux définitions en 3.1, les têtes de réseaux sont divisées en trois classes de qualité:

- Classe 1: tête de réseau centrale;
- Classe 2: tête de réseau secondaire;
- Classe 3: tête de réseau pour antenne collective et pour la réception individuelle.

La Figure 1 montre le schéma de principe d'une tête de réseau composée d'unités de traitement typiques avec les interfaces correspondantes en entrée et en sortie.

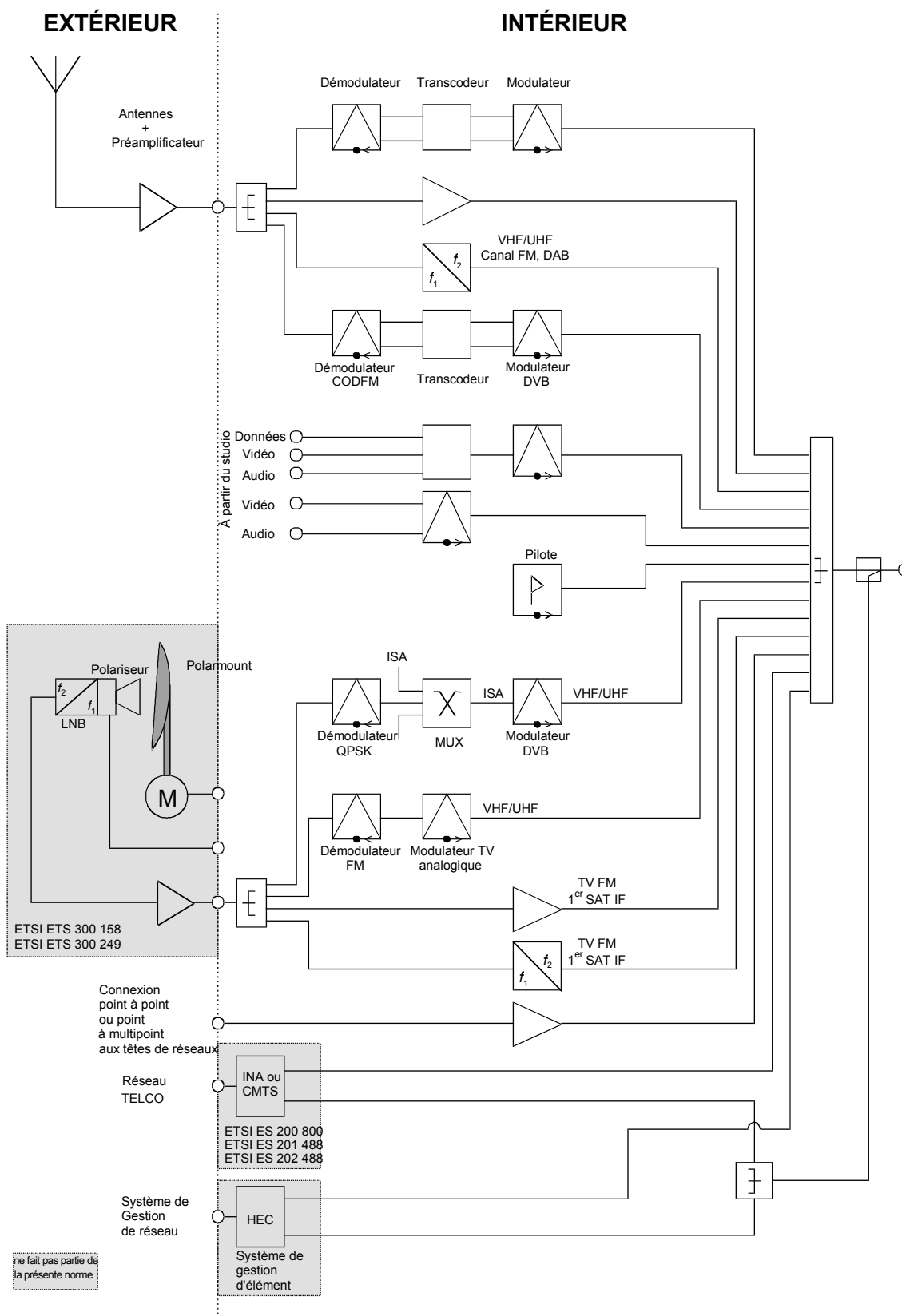
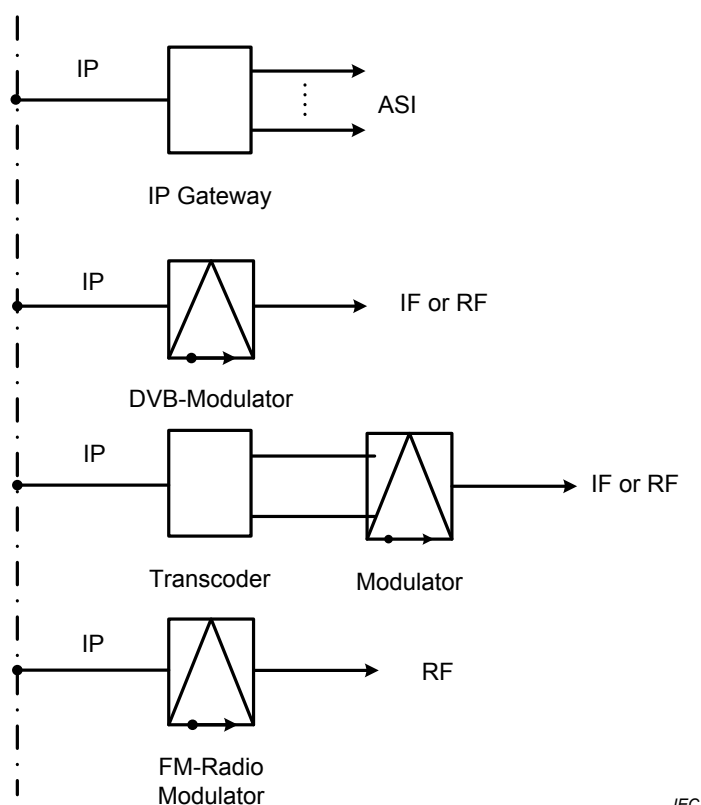


Figure 1 – Exemple de tête de réseau

Pour les interfaces IP, les spécifications de la norme de transmission ETSI TS 102 034 sont prises en compte, le cas échéant. Le contenu des flux de données peut être audio numérique, vidéo numérique ou d'autres données numériques.

Les caractéristiques et les paramètres nécessaires d'équipements tels que les passerelles IP ou les interfaces IP sur ces équipements à l'entrée de têtes de réseaux (Figure 2) ainsi qu'en sortie de têtes de réseaux (Figure 3) sont décrits dans le CLC/TR 50083-5-1.

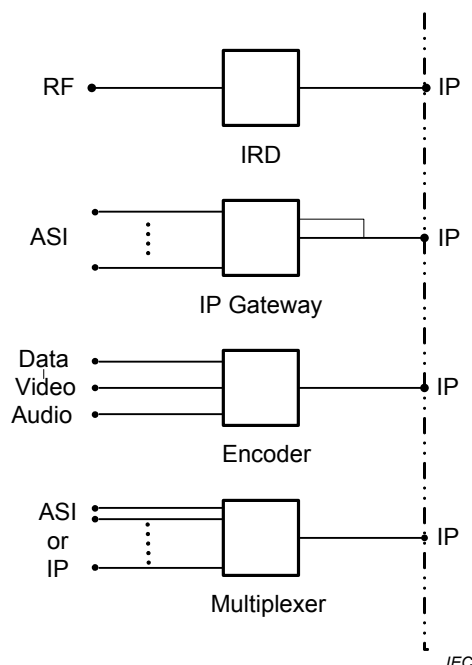
Les équipements à l'entrée de têtes de réseaux peuvent être des passerelles IP qui permettent la connexion à une infrastructure à têtes de réseaux DVB-ASI (Radiodiffusion vidéonumérique-Interface Série Asynchrone, *Digital Video Broadcasting-Asynchronous Serial Interface*) conformément à l'EN 50083-9, ou, dans le cas de systèmes à têtes de réseaux modulaires, peuvent également être des équipements simples dotés d'interfaces IP (modulateurs DVB, transcodeurs, multiplexeurs et processeurs de radio FM (Modulation de fréquence – *Frequency modulation*), par exemple) comme le montre la Figure 2. Les dispositifs de bord sont également définis par le CLC/TR 50083-5-1.



Anglais	Français
IP	IP
IP Gateway	Passerelle IP
ASI	ISA
IF or RF	IF ou RF
DVB-Modulator	Modulateur DVB
Modulator	Modulateur
Transcoder	Transcodeur
FM-Radio Modulator	Modulateur radio FM
RF	RF

Figure 2 – Exemples de passerelles IP ou d'interfaces IP à l'entrée des têtes de réseaux

Les équipements en sortie de têtes de réseaux peuvent être des passerelles IP qui permettent la connexion à partir d'interfaces DVB-ASI conformément à l'EN 50083-9 vers des réseaux IP ou, dans le cas de systèmes à têtes de réseaux modulaires, peuvent être des équipements simples dotés d'interfaces IP (des encodeurs, des multiplexeurs et des commutateurs, par exemple) comme le montre la Figure 3.



Anglais	Français
RF	RF
IP	IP
IRD	IRD
ASI	ISA
IP Gateway	Passerelle IP
Data	Données
Video	Vidéo
Audio	Audio
ASI or IP	ASI ou IP
Encoder	Encodeur
Multiplexer	Multiplexeur

Figure 3 – Exemples de passerelles et d'interfaces IP à la sortie des têtes de réseaux centrales

2 Références normatives

Les documents suivants sont cités en référence de manière normative, en intégralité ou en partie, dans le présent document et sont indispensables pour son application. Pour les références datées, seule l'édition citée s'applique. Pour les références non datées, la dernière édition du document de référence s'applique (y compris les éventuels amendements).

IEC 60068-2-1, *Essais d'environnement – Partie 2-1: Essais – Essai A: Froid*

IEC 60068-2-2, *Essais d'environnement – Partie 2-2: Essais – Essai B: Chaleur sèche*

IEC 60068-2-14, *Essais d'environnement – Partie 2-14: Essais – Essai N: Variation de température*

IEC 60068-2-27, *Essais d'environnement – Partie 2: Essais – Essai Ea et guide: Chocs*

IEC 60068-2-30, *Essais d'environnement – Partie 2-30: Essais – Essai Db: Essai cyclique de chaleur humide (cycle de 12 h + 12 h)*

IEC 60068-2-31, *Environmental testing – Part 2-31: Tests – Test Ec: Rough handling shocks, primarily for equipment-type specimens*

IEC 60068-2-40, *Essais fondamentaux climatiques et de robustesse mécanique – Partie 2-40: Essais – Essai Z/AM: Essais combinés froid/basse pression atmosphérique*

IEC 60244-5, *Méthodes de mesure applicables aux émetteurs radioélectriques – Partie 5: Qualités de fonctionnement des émetteurs de télévision*

IEC 60529, *Degrés de protection procurés par les enveloppes (Code IP)*

IEC 60728-1, *Cable networks for television signals, sound signals and interactive services – Part 1: System performance of forward paths* (disponible en anglais seulement)

IEC 60728-2, *Cable networks for television signals, sound signals and interactive services – Part 2: Electromagnetic compatibility for equipment* (disponible en anglais seulement)

IEC 60728-3:2010, *Réseaux de distribution par câbles pour signaux de télévision, signaux de radiodiffusion sonore et services interactifs – Partie 3: Matériel actif à large bande pour réseaux de distribution par câbles*

IEC 60728-11, *Réseaux de distribution par câbles pour signaux de télévision, signaux de radiodiffusion sonore et services interactifs – Partie 11: Sécurité*

IEC 61319-1, *Interconnexions des équipements de réception satellite – Partie 1: Europe*

ISO/IEC 13818-1, *Technologies de l'information – Codage générique des images animées et du son associé – Partie 1: Systèmes* (disponible en anglais seulement)

ISO/IEC 13818-2, *Technologies de l'information – Codage générique des images animées et du son associé – Partie 2: Données vidéo* (disponible en anglais seulement)

ISO/IEC 13818-3, *Technologies de l'information – Codage générique des images animées et des informations sonores associées – Partie 3: Son* (disponible en anglais seulement)

ISO/IEC 13818-4, *Technologies de l'information – Codage générique des images animées et des informations sonores associées – Partie 4: Essais de conformité* (disponible en anglais seulement)

Recommandation UIT-R BS.468-4, *Mesure du niveau de tension des bruits audiofréquence en radiodiffusion sonore*

Rapport UIT-R BT.624-4, *Caractéristiques des systèmes de télévision*

Recommandation UIT-T J.61, *Qualité de transmission des circuits de télévision destinés à être utilisés dans les communications internationales*

Recommandation UIT-T J.101, *Méthodes de mesure et procédures d'essai pour signaux de télétexte*

ETSI EN 300 421, *Digital Video Broadcasting (DVB); Framing structure, channel coding and modulation for 11/12 GHz satellite services* (disponible en anglais seulement)

ETSI EN 300 429, *Digital Video Broadcasting (DVB); Framing structure, channel coding and modulation for cable systems* (disponible en anglais seulement)

ETSI EN 300 468, *Diffusion vidéo numérique (DVB); Spécification pour les informations de service (IS) dans les systèmes DVB*

ETSI EN 300 473, *Digital Video Broadcasting (DVB); Satellite Master Antenna Television (SMATV) distribution systems* (disponible en anglais seulement)

ETSI EN 300 744, *Digital Video Broadcasting (DVB); Framing structure, channel coding and modulation for digital terrestrial television* (disponible en anglais seulement)

ETSI EN 302 307, *Diffusion vidéo numérique (DVB); Structure de verrouillage de trame de deuxième génération, systèmes de codage et de modulation des canaux pour la diffusion, les services interactifs, la collecte d'informations et autres applications par satellites à large bande (DVB-S2)*

ETSI EN 302 755, *Diffusion vidéo numérique (DVB); Codage et modulation de canal de structure de trame pour un système de télévision numérique terrestre de deuxième génération (DVB-T2)*

ETSI ETS 300 163, *Television systems; NICAM 728: Specification for transmission of two-channel digital sound with terrestrial television systems B, G, H, I and L* (disponible en anglais seulement)

ETSI TR 101 211, *Digital Video Broadcasting (DVB); Guidelines on implementation and usage of Service Information (SI)* (disponible en anglais seulement)