



IEC 61784-5-16

Edition 1.0 2013-09

# INTERNATIONAL STANDARD

# NORME INTERNATIONALE



---

**Industrial communication networks – Profiles –  
Part 5-16: Installation of fieldbuses – Installation profiles for CPF 16**

**Réseaux de communication industriels – Profils –  
Partie 5-16: Installation des bus de terrain – Profils d'installation pour CPF 16**

INTERNATIONAL  
ELECTROTECHNICAL  
COMMISSION

COMMISSION  
ELECTROTECHNIQUE  
INTERNATIONALE

PRICE CODE  
CODE PRIX

W

---

ICS 25.040.40; 35.100.40

ISBN 978-2-8322-1072-7

**Warning! Make sure that you obtained this publication from an authorized distributor.  
Attention! Veuillez vous assurer que vous avez obtenu cette publication via un distributeur agréé.**

## CONTENTS

FOREWORD.....	7
INTRODUCTION.....	9
1 Scope.....	10
2 Normative references .....	10
3 Terms, definitions and abbreviated terms .....	10
4 CPF 16: Overview of installation profiles .....	10
5 Installation profile conventions .....	10
6 Conformance to installation profiles.....	11
Annex A (normative) CP 16/1 (SERCOS I) and CP 16/2 (SERCOS II) specific installation profile .....	13
A.1 Installation profile scope.....	13
A.2 Normative references .....	13
A.3 Installation profile terms, definitions, and abbreviated terms.....	13
A.3.1 Terms and definitions .....	13
A.3.2 Abbreviated terms .....	13
A.3.3 Conventions for installation profiles.....	13
A.4 Installation planning .....	13
A.4.1 General .....	13
A.4.1.1 Objective .....	13
A.4.1.2 Cabling in industrial premises.....	13
A.4.1.3 The planning process .....	13
A.4.1.4 Specific requirements for CPs .....	13
A.4.1.5 Specific requirements for generic cabling in accordance with ISO/IEC 24702 .....	13
A.4.2 Planning requirements.....	13
A.4.2.1 Safety.....	13
A.4.2.2 Security.....	13
A.4.2.3 Environmental considerations and EMC.....	14
A.4.2.4 Specific requirements for generic cabling in accordance with ISO/IEC 24702 .....	14
A.4.3 Network capabilities .....	14
A.4.3.1 Network topology.....	14
A.4.3.2 Network characteristics .....	14
A.4.4 Selection and use of cabling components.....	15
A.4.4.1 Cable selection .....	15
A.4.4.2 Connecting hardware selection .....	16
A.4.4.3 Connections within a channel/permanent link.....	17
A.4.4.4 Terminators .....	17
A.4.4.5 Device location and connection.....	18
A.4.4.6 Coding and labelling .....	18
A.4.4.7 Earthing and bonding of equipment and devices and shielded cabling.....	18
A.4.4.8 Storage and transportation of cables.....	18
A.4.4.9 Routing of cables .....	18
A.4.4.10 Separation of circuit.....	18
A.4.4.11 Mechanical protection of cabling components .....	18

A.4.4.12	Installation in special areas	18
A.4.5	Cabling planning documentation	19
A.4.6	Verification of cabling planning specification	19
A.5	Installation implementation	19
A.5.1	General requirements	19
A.5.2	Cable installation	19
A.5.2.1	General requirements for all cabling types	19
A.5.2.2	Installation and routing	20
A.5.3	Connector installation	20
A.5.3.1	Common description	20
A.5.3.2	Shielded connectors	20
A.5.3.3	Unshielded connectors	20
A.5.3.4	Specific requirements for CPs	20
A.5.3.5	Specific requirements for wireless installation	20
A.5.4	Terminator installation	20
A.5.5	Device installation	20
A.5.6	Coding and labelling	20
A.5.7	Earthing and bonding of equipment and devices and shield cabling	20
A.5.8	As-implemented cabling documentation	20
A.6	Installation verification and installation acceptance test	20
A.6.1	General	20
A.6.2	Installation verification	20
A.6.2.1	General	20
A.6.2.2	Verification according to cabling planning documentation	20
A.6.2.3	Verification of earthing and bonding	21
A.6.2.4	Verification of shield earthing	21
A.6.2.5	Verification of cabling system	21
A.6.2.6	Cable selection verification	21
A.6.2.7	Connector verification	21
A.6.2.8	Connection verification	21
A.6.2.9	Terminators verification	21
A.6.2.10	Coding and labelling verification	21
A.6.2.11	Verification report	21
A.6.3	Installation acceptance test	21
A.6.3.1	General	22
A.6.3.2	Acceptance test of Ethernet-based cabling	22
A.6.3.3	Acceptance test of non-Ethernet-based cabling	22
A.6.3.4	Specific requirements for wireless installation	22
A.6.3.5	Acceptance test report	22
A.7	Installation administration	22
A.7.1	General	22
A.7.2	Fields covered by the administration	22
A.7.3	Basic principles for the administration system	22
A.7.4	Working procedures	22
A.7.5	Device location labelling	22
A.7.6	Component cabling labelling	22
A.7.7	Documentation	22
A.7.8	Specific requirements for administration	22
A.8	Installation maintenance and installation troubleshooting	22

A.8.1	General .....	22
A.8.2	Maintenance .....	22
A.8.3	Troubleshooting .....	22
A.8.4	Specific requirements for maintenance and troubleshooting .....	22
Annex B (normative)	CP 16/3 (SERCOS III) specific installation profile .....	23
B.1	Installation profile scope .....	23
B.2	Normative references .....	23
B.3	Installation profile terms, definitions, and abbreviated terms .....	23
B.3.1	Terms and definitions .....	23
B.3.2	Abbreviated terms .....	23
B.3.3	Conventions for installation profiles .....	23
B.4	Installation planning .....	23
B.4.1	General .....	23
B.4.1.1	Objective .....	23
B.4.1.2	Cabling in industrial premises .....	23
B.4.1.3	The planning process .....	23
B.4.1.4	Specific requirements for CPs .....	23
B.4.1.5	Specific requirements for generic cabling in accordance with ISO/IEC 24702 .....	23
B.4.2	Planning requirements .....	23
B.4.2.1	Safety .....	23
B.4.2.2	Security .....	23
B.4.2.3	Environmental considerations and EMC .....	24
B.4.2.4	Specific requirements for generic cabling in accordance with ISO/IEC 24702 .....	24
B.4.3	Network capabilities .....	24
B.4.3.1	Network topology .....	24
B.4.3.2	Network characteristics .....	24
B.4.4	Selection and use of cabling components .....	26
B.4.4.1	Cable selection .....	26
B.4.4.2	Connecting hardware selection .....	30
B.4.4.3	Connections within a channel/permanent link .....	31
B.4.4.4	Terminators .....	32
B.4.4.5	Device location and connection .....	32
B.4.4.6	Coding and labelling .....	32
B.4.4.7	Earthing and bonding of equipment and devices and shielded cabling .....	33
B.4.4.8	Storage and transportation of cables .....	33
B.4.4.9	Routing of cables .....	33
B.4.4.10	Separation of circuit .....	33
B.4.4.11	Mechanical protection of cabling components .....	33
B.4.4.12	Installation in special areas .....	33
B.4.5	Cabling planning documentation .....	33
B.4.6	Verification of cabling planning specification .....	33
B.5	Installation implementation .....	33
B.5.1	General requirements .....	33
B.5.2	Cable installation .....	33
B.5.2.1	General requirements for all cabling types .....	33
B.5.2.2	Installation and routing .....	35

B.5.2.3 Specific requirements for CPs .....	35
B.5.2.4 Specific requirements for wireless installation.....	35
B.5.2.5 Specific requirements for generic cabling in accordance with ISO/IEC 24702 .....	35
B.5.3 Connector installation.....	35
B.5.4 Terminator installation.....	35
B.5.5 Device installation .....	35
B.5.6 Coding and labelling.....	35
B.5.7 Earthing and bonding of equipment and devices and shield cabling.....	35
B.5.8 As-implemented cabling documentation.....	35
B.6 Installation verification and installation acceptance test.....	35
B.6.1 General.....	35
B.6.2 Installation verification.....	35
B.6.3 Installation acceptance test .....	35
B.7 Installation administration.....	35
B.7.1 General.....	35
B.7.2 Fields covered by the administration .....	35
B.7.3 Basic principles for the administration system .....	35
B.7.4 Working procedures .....	35
B.7.5 Device location labelling.....	36
B.7.6 Component cabling labelling.....	36
B.7.7 Documentation .....	36
B.7.8 Specific requirements for administration.....	36
B.8 Installation maintenance and installation troubleshooting .....	36
B.8.1 General.....	36
B.8.2 Maintenance.....	36
B.8.3 Troubleshooting .....	36
B.8.4 Specific requirements for maintenance and troubleshooting .....	36
Bibliography.....	37
Figure 1 – Standards relationships.....	9
Table A.1 – Network characteristics for optical fibre cabling.....	15
Table A.2 – Information relevant to optical fibre cables .....	16
Table A.3 – Optical fibre connecting hardware .....	16
Table A.4 –Relationship between FOC and fibre types (CP 16/1 and CP 16/2) .....	17
Table A.5 – Parameters for POF optical fibre cables.....	19
Table A.6 – Parameters for hard clad silica optical fibre cables.....	19
Table B.1 – Network characteristics for balanced cabling based on Ethernet .....	25
Table B.2 – Network characteristics for optical fibre cabling.....	26
Table B.3 – Information relevant to copper cable: CP 16/3 Type A (fixed cables).....	27
Table B.4 – Information relevant to copper cable: CP 16/3 Type B (flexible cables) .....	28
Table B.5 – Information relevant to copper cable: CP 16/3 Type C (special cables) .....	29
Table B.6 – Information relevant to optical fibre cables .....	30
Table B.7 – Connectors for balanced cabling CPs based on Ethernet .....	30
Table B.8 – Optical fibre connecting hardware .....	31
Table B.9 –Relationship between FOC and fibre types (CP 16/3).....	31

Table B.10 – Parameters for balanced cables .....	33
Table B.11 – Parameters for silica optical fibre cables .....	34
Table B.12 – Parameters for POF optical fibre cables .....	34
Table B.13 – Parameters for hard clad silica optical fibre cables.....	34

## INTERNATIONAL ELECTROTECHNICAL COMMISSION

---

**INDUSTRIAL COMMUNICATION NETWORKS –  
PROFILES –**
**Part 5-16: Installation of fieldbuses –  
Installation profiles for CPF 16**

## FOREWORD

- 1) The International Electrotechnical Commission (IEC) is a worldwide organization for standardization comprising all national electrotechnical committees (IEC National Committees). The object of IEC is to promote international co-operation on all questions concerning standardization in the electrical and electronic fields. To this end and in addition to other activities, IEC publishes International Standards, Technical Specifications, Technical Reports, Publicly Available Specifications (PAS) and Guides (hereafter referred to as “IEC Publication(s)”). Their preparation is entrusted to technical committees; any IEC National Committee interested in the subject dealt with may participate in this preparatory work. International, governmental and non-governmental organizations liaising with the IEC also participate in this preparation. IEC collaborates closely with the International Organization for Standardization (ISO) in accordance with conditions determined by agreement between the two organizations.
- 2) The formal decisions or agreements of IEC on technical matters express, as nearly as possible, an international consensus of opinion on the relevant subjects since each technical committee has representation from all interested IEC National Committees.
- 3) IEC Publications have the form of recommendations for international use and are accepted by IEC National Committees in that sense. While all reasonable efforts are made to ensure that the technical content of IEC Publications is accurate, IEC cannot be held responsible for the way in which they are used or for any misinterpretation by any end user.
- 4) In order to promote international uniformity, IEC National Committees undertake to apply IEC Publications transparently to the maximum extent possible in their national and regional publications. Any divergence between any IEC Publication and the corresponding national or regional publication shall be clearly indicated in the latter.
- 5) IEC itself does not provide any attestation of conformity. Independent certification bodies provide conformity assessment services and, in some areas, access to IEC marks of conformity. IEC is not responsible for any services carried out by independent certification bodies.
- 6) All users should ensure that they have the latest edition of this publication.
- 7) No liability shall attach to IEC or its directors, employees, servants or agents including individual experts and members of its technical committees and IEC National Committees for any personal injury, property damage or other damage of any nature whatsoever, whether direct or indirect, or for costs (including legal fees) and expenses arising out of the publication, use of, or reliance upon, this IEC Publication or any other IEC Publications.
- 8) Attention is drawn to the Normative references cited in this publication. Use of the referenced publications is indispensable for the correct application of this publication.
- 9) Attention is drawn to the possibility that some of the elements of this IEC Publication may be the subject of patent rights. IEC shall not be held responsible for identifying any or all such patent rights.

International Standard IEC 61784-5-16 has been prepared by subcommittee 65C: Industrial networks, of IEC technical committee 65: Industrial-process measurement, control and automation.

This standard is to be used in conjunction with IEC 61918:2013.

The text of this standard is based on the following documents:

FDIS	Report on voting
65C/738/FDIS	65C/743/RVD

Full information on the voting for the approval of this standard can be found in the report on voting indicated in the above table.

This publication has been drafted in accordance with the ISO/IEC Directives, Part 2.

A list of all parts of IEC 61784-5 series, under the general title *Industrial communication networks – Profiles – Installation of fieldbuses*, can be found on the IEC website.

The committee has decided that the contents of this publication will remain unchanged until the stability date indicated on the IEC web site under "<http://webstore.iec.ch>" in the data related to the specific publication. At this date, the publication will be

- reconfirmed,
- withdrawn,
- replaced by a revised edition, or
- amended.

**IMPORTANT – The 'colour inside' logo on the cover page of this publication indicates that it contains colours which are considered to be useful for the correct understanding of its contents. Users should therefore print this document using a colour printer.**



## INTRODUCTION

This International Standard is one of a series produced to facilitate the use of communication networks in industrial control systems.

IEC 61918:2013 provides the common requirements for the installation of communication networks in industrial control systems. This installation profile standard provides the installation profiles of the communication profiles (CP) of a specific communication profile family (CPF) by stating which requirements of IEC 61918 fully apply and, where necessary, by supplementing, modifying, or replacing the other requirements (see Figure 1).

For general background on fieldbuses, their profiles, and relationship between the installation profiles specified in this standard, see IEC 61158-1.

Each CP installation profile is specified in a separate annex of this standard. Each annex is structured exactly as the reference standard IEC 61918 for the benefit of the persons representing the roles in the fieldbus installation process as defined in IEC 61918 (planner, installer, verification personnel, validation personnel, maintenance personnel, administration personnel). By reading the installation profile in conjunction with IEC 61918, these persons immediately know which requirements are common for the installation of all CPs and which are modified or replaced. The conventions used to draft this standard are defined in Clause 5.

The provision of the installation profiles in one standard for each CPF (for example IEC 61784-5-16 for CPF 16), allows readers to work with standards of a convenient size.

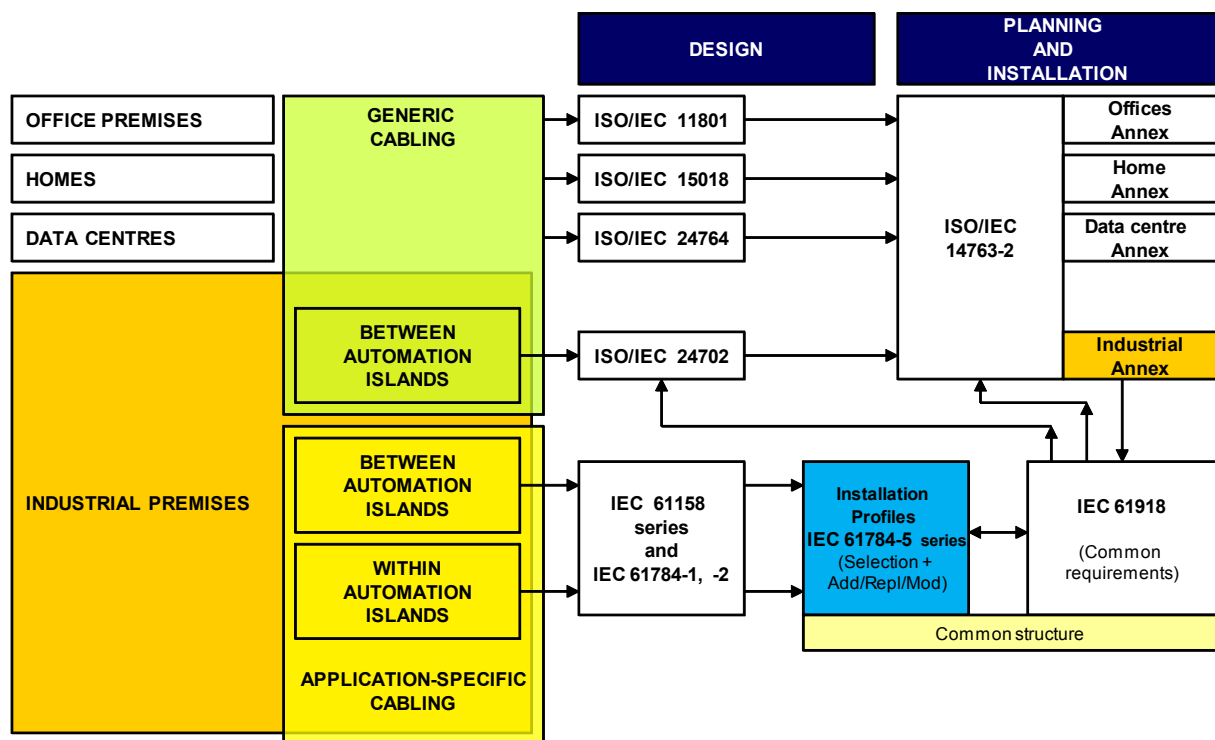


Figure 1 – Standards relationships

## **INDUSTRIAL COMMUNICATION NETWORKS – PROFILES –**

### **Part 5-16: Installation of fieldbuses – Installation profiles for CPF 16**

#### **1 Scope**

This part of IEC 61784-5 specifies the installation profiles for CPF 16 (SERCOS<sup>1</sup>).

The installation profiles are specified in the annexes. These annexes are read in conjunction with IEC 61918:2013.

#### **2 Normative references**

The following documents, in whole or in part, are normatively referenced in this document and are indispensable for its application. For dated references, only the edition cited applies. For undated references, the latest edition of the referenced document (including any amendments) applies.

IEC 61918:2013, *Industrial communication networks – Installation of communication networks in industrial premises*

The normative references of IEC 61918:2013, Clause 2, apply.

---

<sup>1</sup> SERCOS is a trade name of SERCOS International. This information is given for the convenience of users of this document and does not constitute an endorsement by IEC of the trade mark holder or any of its products. Use of the trade name requires permission of the trade name holder.

## SOMMAIRE

AVANT-PROPOS .....	43
INTRODUCTION.....	45
1 Domaine d'application .....	47
2 Références normatives.....	47
3 Termes, définitions et abréviations .....	47
4 CPF 16: Aperçu des profils d'installation .....	47
5 Conventions utilisées pour les profils d'installation .....	47
6 Conformité aux profils d'installation .....	48
Annexe A (normative) Profil d'installation spécifique aux CP 16/1 (SERCOS I) et CP 16/2 (SERCOS II) .....	50
A.1 Domaine d'application du profil d'installation .....	50
A.2 Références normatives.....	50
A.3 Termes, définitions et abréviations utilisés pour le profil d'installation .....	50
A.3.1 Termes et définitions .....	50
A.3.2 Abréviations .....	50
A.3.3 Conventions relatives aux profils d'installation .....	50
A.4 Planification de l'installation .....	50
A.4.1 Généralités.....	50
A.4.1.1 Objectif.....	50
A.4.1.2 Câblage dans les locaux industriels.....	50
A.4.1.3 Processus de planification .....	50
A.4.1.4 Exigences spécifiques pour les CPs .....	50
A.4.1.5 Exigences spécifiques pour le câblage générique conformément à l'ISO/CEI 24702.....	50
A.4.2 Exigences de planification .....	50
A.4.2.1 Sûreté .....	50
A.4.2.2 Sécurité.....	51
A.4.2.3 Considérations environnementales et compatibilité électromagnétique .....	51
A.4.2.4 Exigences spécifiques pour le câblage générique conformément à l'ISO/CEI 24702.....	51
A.4.3 Capacités du réseau .....	51
A.4.3.1 Topologie du réseau.....	51
A.4.3.2 Caractéristiques du réseau .....	51
A.4.4 Sélection et utilisation des composants de câblage .....	52
A.4.4.1 Sélection du câble .....	52
A.4.4.2 Sélection du matériel de connexion.....	53
A.4.4.3 Connexions dans un canal/une liaison permanente .....	54
A.4.4.4 Terminaisons .....	54
A.4.4.5 Emplacement et connexion du dispositif.....	55
A.4.4.6 Codage et étiquetage.....	55
A.4.4.7 Mise à la terre et équipotentialité du matériel et des dispositifs et câblage blindé.....	55
A.4.4.8 Stockage et transport des câbles .....	55
A.4.4.9 Acheminement des câbles .....	55
A.4.4.10 Séparation des circuits.....	55

A.4.4.11	Protection mécanique des composants de câblage .....	55
A.4.4.12	Installation dans des zones particulières .....	56
A.4.5	Documentation de planification du câblage .....	56
A.4.6	Vérification de la spécification de planification du câblage .....	56
A.5	Mise en œuvre de l'installation .....	56
A.5.1	Exigences générales .....	56
A.5.2	Installation des câbles .....	56
A.5.2.1	Exigences générales relatives aux types de câbles .....	56
A.5.2.2	Installation et acheminement .....	57
A.5.3	Installation de connecteur .....	57
A.5.3.1	Description commune .....	57
A.5.3.2	Connecteurs blindés .....	57
A.5.3.3	Connecteurs non blindés .....	57
A.5.3.4	Exigences spécifiques pour les CPs .....	57
A.5.3.5	Exigences particulières pour l'installation sans fil .....	57
A.5.4	Installation des terminaisons .....	57
A.5.5	Installation du dispositif .....	57
A.5.6	Codage et étiquetage .....	57
A.5.7	Mise à la terre et équipotentialité du matériel et des dispositifs et câblage blindé .....	58
A.5.8	Documentation du câblage comme exécuté .....	58
A.6	Installation, vérification et essai de réception de l'installation .....	58
A.6.1	Généralités .....	58
A.6.2	Vérification de l'installation .....	58
A.6.2.1	Généralités .....	58
A.6.2.2	Vérification conformément à la documentation de planification du câblage .....	58
A.6.2.3	Vérification de la mise à la terre et de l'équipotentialité .....	58
A.6.2.4	Vérification de la mise à la terre du blindage .....	58
A.6.2.5	Vérification du système de câblage .....	58
A.6.2.6	Vérification de la sélection du câble .....	58
A.6.2.7	Vérification du connecteur .....	58
A.6.2.8	Vérification de la connexion .....	58
A.6.2.9	Vérification des terminaisons .....	58
A.6.2.10	Vérification codage et de étiquetage .....	59
A.6.2.11	Rapport de vérification .....	59
A.6.3	Essai de réception de l'installation .....	59
A.6.3.1	Généralités .....	59
A.6.3.2	Essai de réception du câblage Ethernet .....	59
A.6.3.3	Essai de réception du câblage non Ethernet .....	59
A.6.3.4	Exigences particulières pour l'installation sans fil .....	59
A.6.3.5	Rapport d'essai de réception .....	59
A.7	Administration de l'installation .....	59
A.7.1	Généralités .....	59
A.7.2	Champs couverts par l'administration .....	59
A.7.3	Principes de base du système d'administration .....	59
A.7.4	Procédures de travail .....	59
A.7.5	Étiquetage de l'emplacement du dispositif .....	59
A.7.6	Étiquetage du câblage des composants .....	59

A.7.7	Documentation .....	59
A.7.8	Exigences spécifiques pour l'administration.....	59
A.8	Maintenance et dépannage de l'installation .....	60
A.8.1	Généralités.....	60
A.8.2	Maintenance.....	60
A.8.3	Dépannage.....	60
A.8.4	Exigences particulières de maintenance et de dépannage.....	60
Annexe B	(normative) Profil d'installation spécifique au CP 16/3 (SERCOS III).....	61
B.1	Domaine d'application du profil d'installation .....	61
B.2	Références normatives.....	61
B.3	Termes, définitions et abréviations utilisés pour le profil d'installation .....	61
B.3.1	Termes et définitions.....	61
B.3.2	Abréviations .....	61
B.3.3	Conventions relatives aux profils d'installation .....	61
B.4	Planification de l'installation .....	61
B.4.1	Généralités.....	61
B.4.1.1	Objectif.....	61
B.4.1.2	Câblage dans les locaux industriels.....	61
B.4.1.3	Processus de planification .....	61
B.4.1.4	Exigences spécifiques pour les CPs .....	61
B.4.1.5	Exigences spécifiques pour le câblage générique conformément à l'ISO/CEI 24702.....	61
B.4.2	Exigences de planification .....	61
B.4.2.1	Sûreté .....	61
B.4.2.2	Sécurité.....	62
B.4.2.3	Considérations environnementales et compatibilité électromagnétique .....	62
B.4.2.4	Exigences spécifiques pour le câblage générique conformément à l'ISO/CEI 24702.....	62
B.4.3	Capacités du réseau .....	62
B.4.3.1	Topologie du réseau.....	62
B.4.3.2	Caractéristiques du réseau.....	62
B.4.4	Sélection et utilisation des composants de câblage .....	64
B.4.4.1	Sélection du câble .....	64
B.4.4.2	Sélection du matériel de connexion.....	68
B.4.4.3	Connexions dans un canal/une liaison permanente.....	70
B.4.4.4	Terminaisons .....	71
B.4.4.5	Emplacement et connexion du dispositif.....	71
B.4.4.6	Codage et étiquetage.....	71
B.4.4.7	Mise à la terre et équipotentialité du matériel et des dispositifs et câblage blindé.....	71
B.4.4.8	Stockage et transport des câbles .....	71
B.4.4.9	Acheminement des câbles .....	71
B.4.4.10	Séparation des circuits.....	71
B.4.4.11	Protection mécanique des composants de câblage .....	71
B.4.4.12	Installation dans des zones particulières .....	71
B.4.5	Documentation de planification du câblage.....	71
B.4.6	Vérification de la spécification de planification du câblage.....	71
B.5	Mise en œuvre de l'installation .....	71

B.5.1 Exigences générales .....	71
B.5.2 Installation des câbles .....	71
B.5.2.1 Exigences générales relatives aux types de câblage .....	72
B.5.2.2 Installation et acheminement .....	73
B.5.2.3 Exigences spécifiques pour les CPs .....	73
B.5.2.4 Exigences particulières pour l'installation sans fil .....	74
B.5.2.5 Exigences spécifiques pour le câblage générique conformément à l'ISO/CEI 24702 .....	74
B.5.3 Installation de connecteur .....	74
B.5.4 Installation des terminaisons .....	74
B.5.5 Installation du dispositif .....	74
B.5.6 Codage et étiquetage .....	74
B.5.7 Mise à la terre et équipotentialité du matériel et des dispositifs et câblage blindé .....	74
B.5.8 Documentation du câblage après mise en œuvre .....	74
B.6 Installation, vérification et essai de réception de l'installation .....	74
B.6.1 Généralités .....	74
B.6.2 Vérification de l'installation .....	74
B.6.3 Essai de réception de l'installation .....	74
B.7 Administration de l'installation .....	74
B.7.1 Généralités .....	74
B.7.2 Domaines couverts par l'administration .....	74
B.7.3 Principes de base du système d'administration .....	74
B.7.4 Procédures de travail .....	74
B.7.5 Etiquetage de l'emplacement du dispositif .....	74
B.7.6 Etiquetage du câblage des composants .....	74
B.7.7 Documentation .....	74
B.7.8 Exigences spécifiques pour l'administration .....	74
B.8 Maintenance et dépannage de l'installation .....	74
B.8.1 Généralités .....	74
B.8.2 Maintenance .....	74
B.8.3 Dépannage .....	74
B.8.4 Exigences particulières de maintenance de dépannage .....	74
Bibliographie .....	75
Figure 1 – Relations entre les normes .....	46
Tableau A.1 – Caractéristiques du réseau pour un câblage à fibres optiques .....	52
Tableau A.2 – Informations applicables aux câbles à fibres optiques .....	53
Tableau A.3 – Matériel de connexion de câblage à fibres optiques .....	53
Tableau A.4 – Rapport entre le FOC et les types de fibres (CP 16/1 et CP 16/2) .....	54
Tableau A.5 – Paramètres pour des câbles à fibres optiques en plastique .....	56
Tableau A.6 – Paramètres pour des câbles à fibres optiques en silice gainée en dur .....	57
Tableau B.1 – Caractéristiques du réseau pour un câblage à paires symétriques à base d'Ethernet .....	63
Tableau B.2 – Caractéristiques du réseau pour un câblage à fibres optiques .....	64
Tableau B.3 – Informations applicables aux câbles en cuivre: CP 16/3 Type A (câbles fixes) .....	65

Tableau B.4 – Informations applicables aux câbles en cuivre: CP 16/3 Type B (câbles souples).....	66
Tableau B.5 – Informations applicables aux câbles en cuivre: CP 16/3 Type C (câbles spéciaux).....	67
Tableau B.6 – Informations applicables aux câbles à fibres optiques .....	68
Tableau B.7 – Connecteurs de câblage à paires symétriques pour CP à base d'Ethernet.....	69
Tableau B.8 – Matériel de connexion de câblage à fibres optiques .....	69
Tableau B.9 – Rapport entre le FOC et les types de fibres (CP 16/3).....	70
Tableau B.10 – Paramètres pour câbles à paires symétriques .....	72
Tableau B.11 – Paramètres pour câbles à fibres optiques en silice.....	72
Tableau B.12 – Paramètres pour des câbles à fibres optiques en plastique .....	73
Tableau B.13 – Paramètres pour des câbles à fibres optiques en silice gainée en dur .....	73

## COMMISSION ÉLECTROTECHNIQUE INTERNATIONALE

---

**RÉSEAUX DE COMMUNICATION INDUSTRIELS –  
PROFILS –**
**Partie 5-16: Installation des bus de terrain –  
Profils d'installation pour CPF 16**
**AVANT-PROPOS**

- 1) La Commission Electrotechnique Internationale (CEI) est une organisation mondiale de normalisation composée de l'ensemble des comités électrotechniques nationaux (Comités nationaux de la CEI). La CEI a pour objet de favoriser la coopération internationale pour toutes les questions de normalisation dans les domaines de l'électricité et de l'électronique. A cet effet, la CEI – entre autres activités – publie des Normes internationales, des Spécifications techniques, des Rapports techniques, des Spécifications accessibles au public (PAS) et des Guides (ci-après dénommés "Publication(s) de la CEI"). Leur élaboration est confiée à des comités d'études, aux travaux desquels tout Comité national intéressé par le sujet traité peut participer. Les organisations internationales, gouvernementales et non gouvernementales, en liaison avec la CEI, participent également aux travaux. La CEI collabore étroitement avec l'Organisation Internationale de Normalisation (ISO), selon des conditions fixées par accord entre les deux organisations.
- 2) Les décisions ou accords officiels de la CEI concernant les questions techniques représentent, dans la mesure du possible, un accord international sur les sujets étudiés, étant donné que les Comités nationaux de la CEI intéressés sont représentés dans chaque comité d'études.
- 3) Les Publications de la CEI se présentent sous la forme de recommandations internationales et sont agréées comme telles par les Comités nationaux de la CEI. Tous les efforts raisonnables sont entrepris afin que la CEI s'assure de l'exactitude du contenu technique de ses publications; la CEI ne peut pas être tenue responsable de l'éventuelle mauvaise utilisation ou interprétation qui en est faite par un quelconque utilisateur final.
- 4) Dans le but d'encourager l'uniformité internationale, les Comités nationaux de la CEI s'engagent, dans toute la mesure possible, à appliquer de façon transparente les Publications de la CEI dans leurs publications nationales et régionales. Toutes divergences entre toutes Publications de la CEI et toutes publications nationales ou régionales correspondantes doivent être indiquées en termes clairs dans ces dernières.
- 5) La CEI elle-même ne fournit aucune attestation de conformité. Des organismes de certification indépendants fournissent des services d'évaluation de conformité et, dans certains secteurs, accèdent aux marques de conformité de la CEI. La CEI n'est responsable d'aucun des services effectués par les organismes de certification indépendants.
- 6) Tous les utilisateurs doivent s'assurer qu'ils sont en possession de la dernière édition de cette publication.
- 7) Aucune responsabilité ne doit être imputée à la CEI, à ses administrateurs, employés, auxiliaires ou mandataires, y compris ses experts particuliers et les membres de ses comités d'études et des Comités nationaux de la CEI, pour tout préjudice causé en cas de dommages corporels et matériels, ou de tout autre dommage de quelque nature que ce soit, directe ou indirecte, ou pour supporter les coûts (y compris les frais de justice) et les dépenses découlant de la publication ou de l'utilisation de cette Publication de la CEI ou de toute autre Publication de la CEI, ou au crédit qui lui est accordé.
- 8) L'attention est attirée sur les références normatives citées dans cette publication. L'utilisation de publications référencées est obligatoire pour une application correcte de la présente publication.
- 9) L'attention est attirée sur le fait que certains des éléments de la présente Publication de la CEI peuvent faire l'objet de droits de brevet. La CEI ne saurait être tenue pour responsable de ne pas avoir identifié de tels droits de brevets et de ne pas avoir signalé leur existence.

La Norme internationale CEI 61784-5-16 a été établie par le sous-comité 65C: Réseaux industriels, du comité d'études 65 de la CEI: Mesure, commande et automation dans les processus industriels.

La présente norme doit être utilisée conjointement à la CEI 61918:2013.

Le texte de cette norme est issu des documents suivants:

FDIS	Rapport de vote
65C/738/FDIS	65C/743/RVD



Le rapport de vote indiqué dans le tableau ci-dessus donne toute information sur le vote ayant abouti à l'approbation de cette norme.

Cette publication a été rédigée selon les Directives ISO/CEI, Partie 2.

Une liste de toutes les parties de la série CEI 61784-5, sous le titre général *Réseaux de communication industriels – Profils – Installation des bus de terrain*, est disponible sur le site web de la CEI.

Le comité a décidé que le contenu de cette publication ne sera pas modifié avant la date de stabilité indiquée sur le site web de la CEI sous "<http://webstore.iec.ch>" dans les données relatives à la publication recherchée. A cette date, la publication sera

- reconduite;
- supprimée;
- remplacée par une édition révisée, ou
- amendée.

**IMPORTANT – Le logo “colour inside” qui se trouve sur la page de couverture de cette publication indique qu'elle contient des couleurs qui sont considérées comme utiles à une bonne compréhension de son contenu. Les utilisateurs devraient, par conséquent, imprimer cette publication en utilisant une imprimante couleur.**

## INTRODUCTION

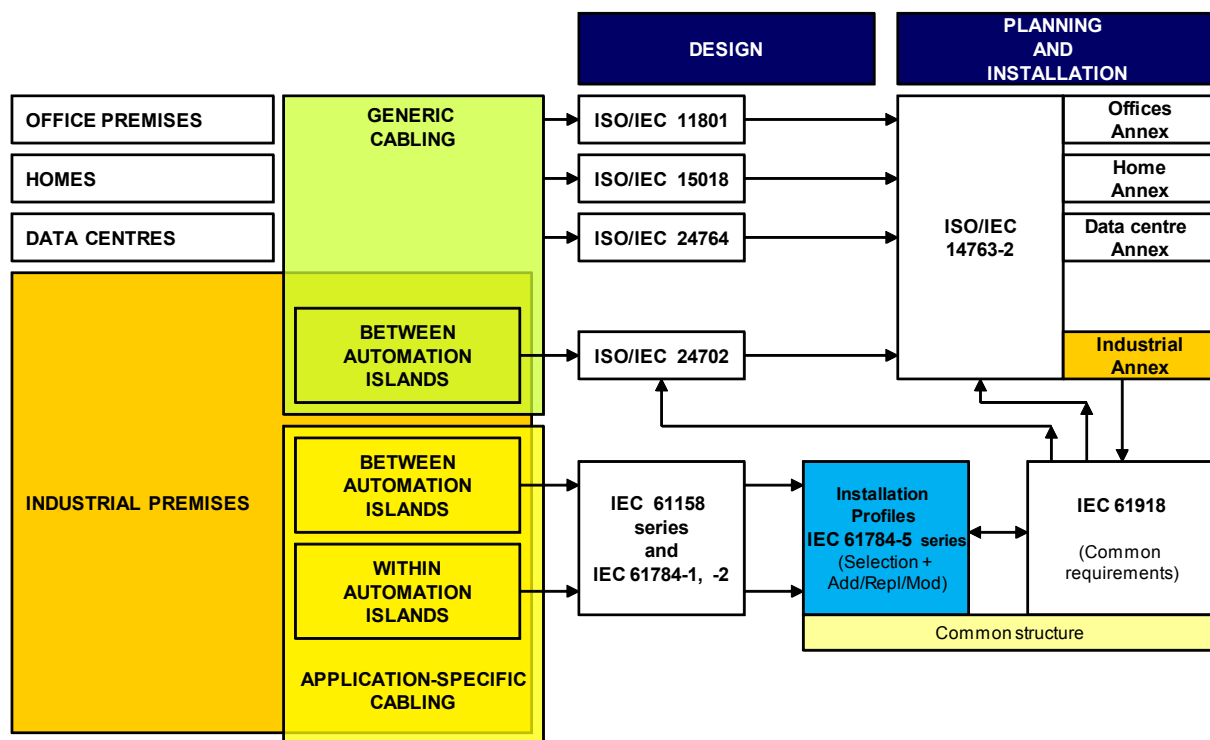
La présente Norme Internationale fait partie d'une série élaborée pour faciliter l'utilisation des réseaux de communication dans des systèmes de contrôle-commande industriels.

La CEI 61918:2013 définit les exigences communes applicables à l'installation de réseaux de communication dans des systèmes de contrôle-commande industriels. La présente norme décrit les profils d'installation des profils de communication (CP) d'une famille spécifique de profils de communication (CPF) en indiquant les exigences de la CEI 61918 qui s'appliquent pleinement et, si nécessaire, en complétant, en modifiant ou en remplaçant les autres exigences (voir la Figure 1).

Pour des informations générales concernant les bus de terrain, leurs profils et les relations entre les profils d'installation spécifiés dans la présente norme, se reporter à la CEI 61158-1.

Chaque profil d'installation de CP est spécifié dans une annexe séparée de la présente Norme. Chaque annexe est structurée exactement de la même manière que la norme de référence CEI 61918 compte tenu des rôles des différentes personnes impliquées dans le processus d'installation des bus de terrain, tels que définis dans la CEI 61918 (planificateur, installateur, vérificateur, valideur, personnel chargé de la maintenance, personnel chargé de l'administration). Si elles utilisent le profil d'installation conjointement à la CEI 61918, ces personnes savent immédiatement quelles exigences sont communes à l'installation de tous les CP et lesquelles sont modifiées ou remplacées. Les conventions utilisées pour la rédaction de la présente norme sont définies à l'Article 5.

La définition d'une norme de profil d'installation pour chaque CPF (par exemple la CEI 61784-5-16 pour la CPF 16), permet aux utilisateurs de travailler avec des documents de taille convenable.



**Légende**

Anglais	Français
OFFICE PREMISES	BUREAUX
HOMES	HABITATIONS
DATA CENTRES	CENTRES DE DONNÉES
INDUSTRIAL PREMISES	LOCAUX INDUSTRIELS
GENERIC CABLING	CÂBLAGE GÉNÉRIQUE
BETWEEN AUTOMATION ISLANDS	ENTRE ÎLOTS D'AUTOMATISATION
WITHIN AUTOMATION ISLANDS	DANS LES ÎLOTS D'AUTOMATISATION
APPLICATION-SPECIFIC CABLING	CÂBLAGE SPÉCIFIQUE À L'APPLICATION
DESIGN	CONCEPTION
ISO/IEC 11801	ISO/CEI 11801
ISO/IEC 15018	ISO/CEI 15018
ISO/IEC 24764	ISO/CEI 24764
ISO/IEC 24702	ISO/CEI 24702
IEC 61158 series and IEC 61784-1, -2	Série CEI 61158 et CEI 61784-1, -2
PLANNING AND INSTALLATION	PLANIFICATION ET INSTALLATION
ISO/IEC 14763-2	ISO/CEI 14763-2
Offices annex	Annexe concernant les bureaux
Home annex	Annexe concernant les habitations
Data centre annex	Annexe concernant les centres de données
Industrial annex	Annexe concernant les locaux industriels
Installation profiles	Profils d'installation
IEC 61784-5 series (selection + Add/Repl/Mod)	Série CEI 61784-5 (Sélection + Addition/Rempl./Modif.)
IEC 61918 (Common requirements)	CEI 61918 (Exigences communes)
Common structure	Structure commune

**Figure 1 – Relations entre les normes**

## RÉSEAUX DE COMMUNICATION INDUSTRIELS – PROFILS –

### Partie 5-16: Installation des bus de terrain – Profils d'installation pour CPF 16

#### 1 Domaine d'application

La présente partie de la CEI 61784-5 définit les profils d'installation pour la CPF 16 (SERCOS<sup>1</sup>).

Les profils d'installation sont spécifiés dans les annexes. Ces annexes sont utilisées conjointement à la CEI 61918:2013.

#### 2 Références normatives

Les documents suivants sont cités en référence de manière normative, en intégralité ou en partie, dans le présent document et sont indispensables pour son application. Pour les références datées, seule l'édition citée s'applique. Pour les références non datées, la dernière édition du document de référence s'applique (y compris les éventuels amendements).

CEI 61918:2013, *Réseaux de communication industriels – Installation de réseaux de communication dans des locaux industriels*

Les références normatives de l'Article 2 de la CEI 61918:2013 s'appliquent.

---

<sup>1</sup> SERCOS est une marque commerciale de SERCOS International. Cette information est donnée à l'intention des utilisateurs du présent document et ne signifie nullement que la CEI approuve ou recommande la société désignée ci-dessus ou un de ses produits. L'utilisation de la marque commerciale nécessite l'autorisation du détenteur de la marque commerciale.